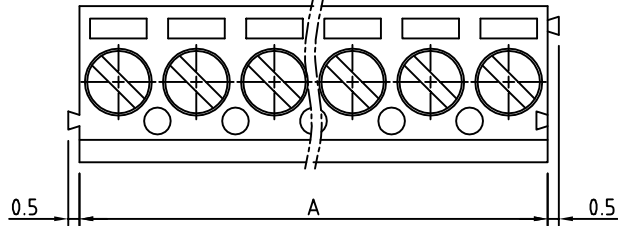


SIGN	DATE	DESCRIPTION	APPROVER
		<i>THIS IS CAD DRAWING, DO NOT REVISE MANUALLY!!!</i>	



- Material:
- Terminal body
  - (metal housing): Brass(CuZn)
  - Terminal screw: Steel Plated Zinc
  - Wire guard: Stainless steel
  - Surface of solder tail: Tin plated
  - Insulator(housing): Thermoplastic (UL94V-0)

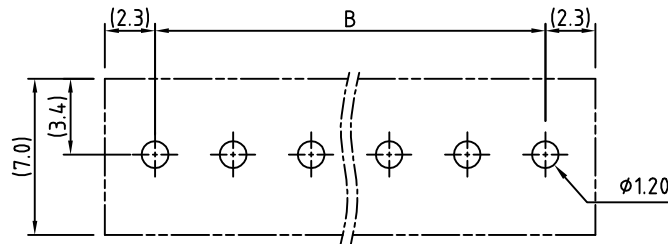
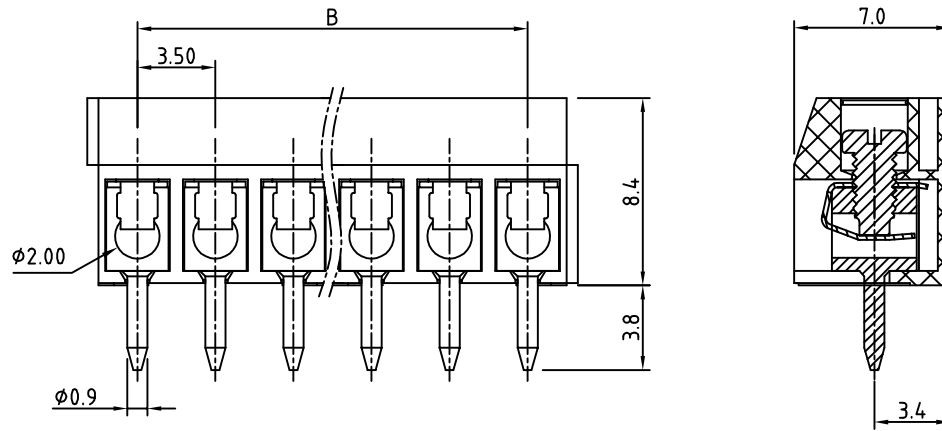
- Electrical: cULus
- Voltage rating: 125V
  - Current rating: 10A
  - Wire range:
    - Solid wire(AWG): 16-26
    - Stranded wire(AWG): 16-26
  - Torque: 1.7Lb-In
  - Screw: M2
  - Wire strip length: 5-6mm
  - Withstanding Voltage: 1.25 KV
  - Operating temperature: -40°C to +115°C
  - Soldering temperature: 250°C±10°C/5 Sec
  - Safety Approval: US
- RoHS Compliant

PART NUMBER

**OSTTEXX0164**

No. of Poles  
 02: 2 Poles  
 03: 3 Poles  
 ...  
 24: 24 Poles

COLOR  
 0: Black  
 5: Green  
 6: Blue (Standard)  
 8: Grey



P.C.B. LAYOUT

POLE		2	3	4	5	6	7	8	9	10	11	12
A		7.00	10.50	14.00	17.50	21.00	24.50	28.00	31.50	35.00	38.50	42.00
B		3.50	7.00	10.50	14.00	17.50	21.00	24.50	28.00	31.50	35.00	38.50
Tol.		±0.10					±0.15					
POLE	13	14	15	16	17	18	19	20	21	22	23	24
A	45.50	49.00	52.50	56.00	59.50	63.00	66.50	70.00	73.50	77.00	80.50	84.00
B	42.00	45.50	49.00	52.50	56.00	59.50	63.00	66.50	70.00	73.50	77.00	80.50
Tol.	±0.20					±0.30						



TITLE		OSTTE 3.5mm Solid block series "-" Screw											
PART NO.		OSTTEXX0164					DWG NO.		OSTTEXX0164.DWG				
APPROVED		CHECKED	DESIGNED	DRAWN		CUST NO.		Tolerance					
			Runner	Runner				UNIT: mm		X. ±0.50			
			2010.03.26	2010.03.26				SCALE: NONE		X.X ±0.30			
								REV.: C		X.XX ±0.10			
								SHEET: 01/01		X° ±1°			