



## Solution Products



TISP4145M3BJR-S



MF-RX018/250

## Design Kit



PN-DESIGNKIT 10

## Objective

Integrated Services Digital Network (ISDN) simultaneously transmits voice, video, and data over public switched telephone network circuits. This solution protects ISDN circuit interfaces against surge and power contact threats.

## Solution

- 4 Thyristors: TISP4145M3BJR-S
- 4 Multifuse<sup>®</sup> PTCs: MF-RX018/250

## Compliance

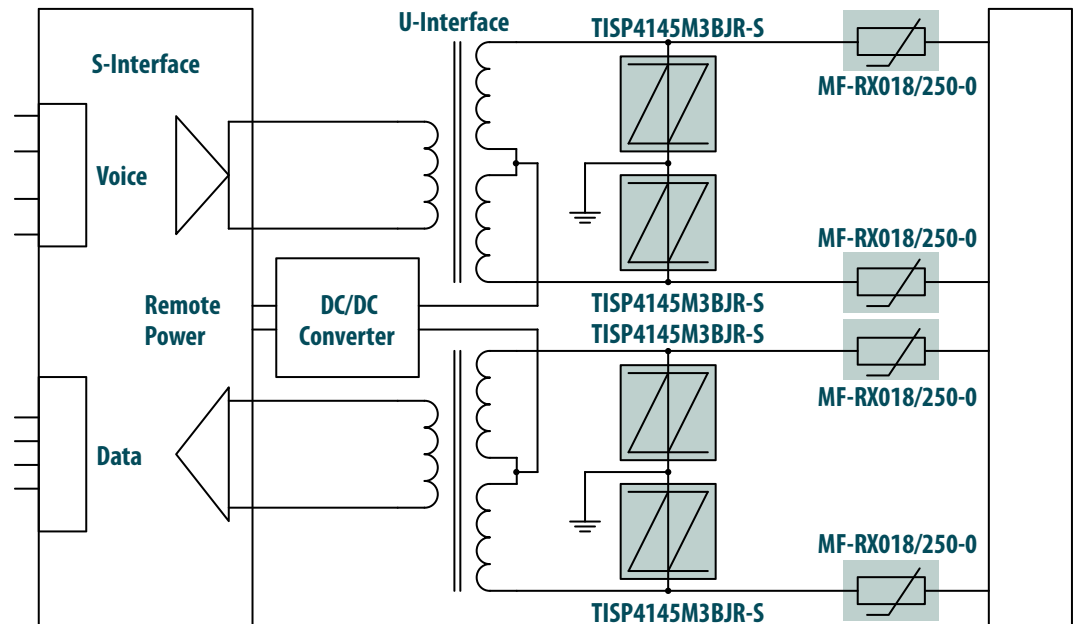
ITU-T K.21

## Alternate Recommendations

For GR-1089-CORE designs, the TISP4145H3 and B1250T are recommended.

## Benefit

This solution provides a high level of protection within a small amount of PCB area.



The schematic above illustrates the application protection and does not constitute the complete circuit design. Customers should verify actual device performance in their specific applications.