

THIS DRAWING IS UNPUBLISHED.

RELEASED FOR PUBLICATION

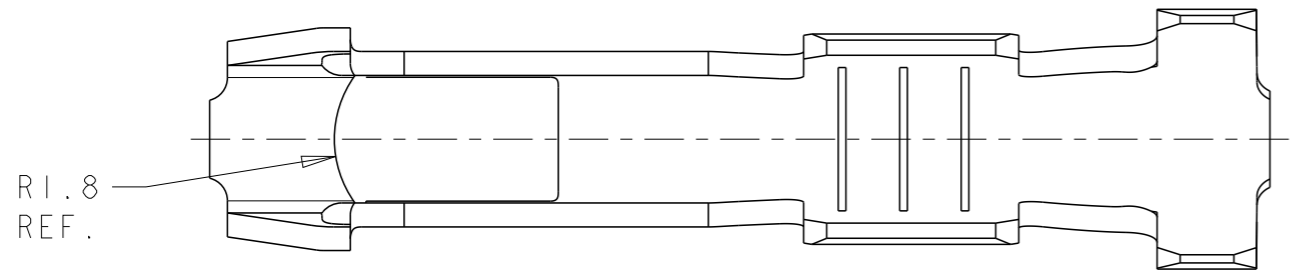
© COPYRIGHT

ALL RIGHTS RESERVED.

LOC DIST

REVISIONS

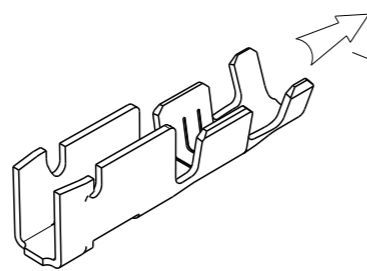
P	LTR	DESCRIPTION	DATE	DWN	APVD
	A1	REVISED FOR ET00-0081-01	07MAR01	H.Y.	C.T.
	B	REVISED AS PER ECR-13-005565	03SEP2013	MKD	RRP



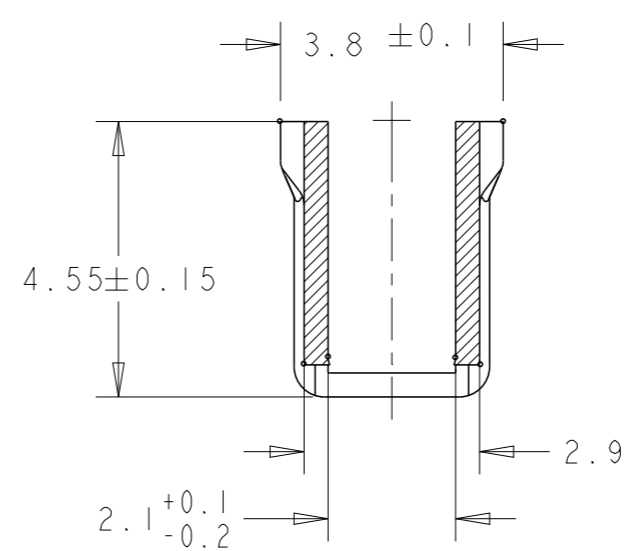
SPESORE BANDELLA  
(MAT. THK.)  
.040±0.025

DIM. MASSIMA  
DI TAGLIO  
(MAX. DUE TO  
APPLICATION CUT-OFF)

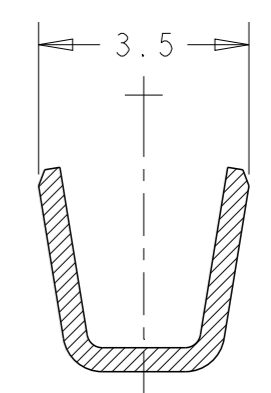
SENSO DI USCITA DEL CONTATTO  
DALLA BOBINA  
(DIRECTION OFF  
TOP OF REEL)



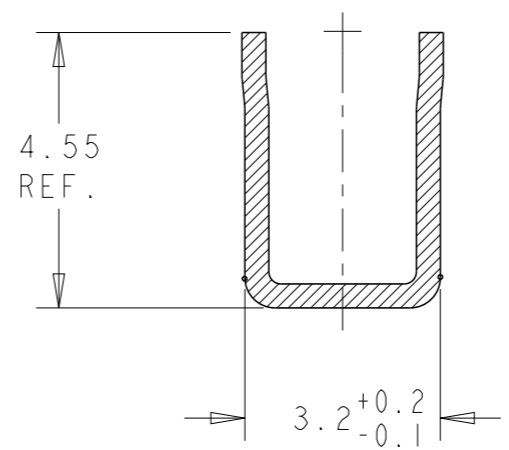
SECTION E-E



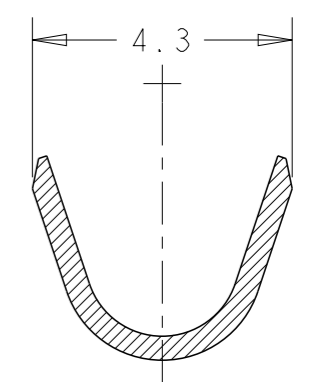
SECTION B-B



SECTION A-A



SECTION C-C



NOTES:

- 1 TRADE MARK LOCATED AS SHOWN.
- 2) SUPPLIED IN STRIP ON REEL  
FORNITO IN STRIP SU BOBINA
- 3) CONTACT AS SHOWN IS SUITABLE FOR HSG. TE AMP P/N 284406-1  
IL CONTATTO IN OGGETTO E' UTILIZZABILE  
CON IL CONNETTORE TE AMP P/N 284406-1
- 4) LA SEZIONE E LE RELATIVE DIMENSIONI SONO VALIDE PER UNA LUNGHEZZA  
DI 1.8mm A PARTIRE DAL FRONTE DEL CONTATTO  
THIS SECTION AND RELEVANT DIM. ARE APPLICABLE FROM THE FRONT  
OF THE CONTACT FOR 1.8mm LENGTH

18-16	1.50-2.62	COPPER ALLOY	284633-1
WIRE RANGE (AWG)	INSULATION DIA. RANGE	MATERIAL	PART NO

THIS DRAWING IS A CONTROLLED DOCUMENT.		DWN C.CORDOLA 27LUG2000		TE Connectivity	
		CHK G.TURCO 27LUG2000			
DIMENSIONS: mm		TOLERANCES UNLESS OTHERWISE SPECIFIED:		NAME SPECIAL REC. CONTACT CLUSTER FOR PIN 2.29 dia .090 DIA	
		0 PLC ± .5		PRODUCT SPEC 108-20033	
		1 PLC ± .3		APPLICATION SPEC 114-20107	
MATERIAL SEE TABLE		FINISH STAGNATO TIN PLATED		SIZE A3	CAGE CODE C-
		WEIGHT		DRAWING NO 284633	RESTRICTED TO
CUSTOMER DRAWING				SCALE 8:1	SHEET 1 OF 1
				REV B	