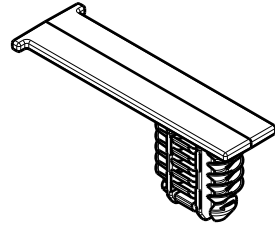
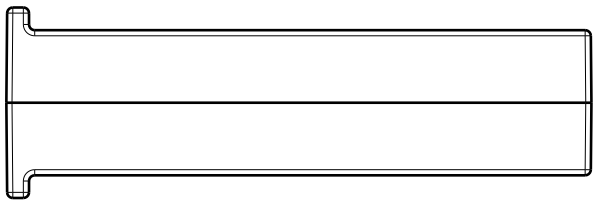
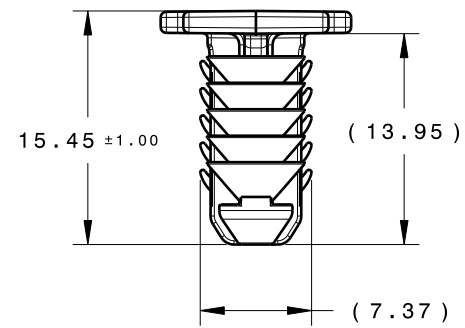
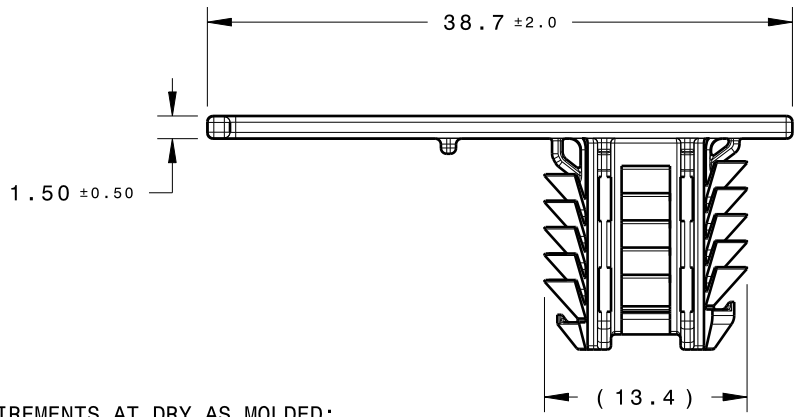


Revision Level			Revision Record	Changed	Date	Approved	Date
Drawing	State	Part					
06.1	Design Release	C	SEE ECN# 012604	CJR	03/12/14	KVH	03/12/14

06.1



ISOMETRIC VIEW (1/1)



- REFERENCE:
 PERFORMANCE REQUIREMENTS AT DRY AS MOLDED:
1. FIR TREE PUSH IN FORCE: REF. 10 LBS MAX IN EACH APPLICABLE OVAL HOLE SIZE AND A PLATE THICKNESS OF 1.8mm
 2. FIR TREE PULL OUT FORCE: REF. 25 LBS MIN IN EACH APPLICABLE OVAL HOLE SIZE AND A PLATE THICKNESS OF 1.8mm
 3. SHEET METAL THICKNESS RANGE: 0.60mm - 6.0mm
 4. APPLICABLE OVAL HOLE SIZES:
 - A. 6.2 X 12.2mm
 - B. 6.5 x 12.5mm
 - C. 6.5 x 13.0mm
 - D. 7.0 x 12.0mm

06.1	
COLOR	TYPE NUMBER
NATURAL	BCFTOVAL2
BLACK	BCFTOVAL2

Material PA66HIRHS COLOR: SEE TABLE 	Units millimeters Tolerance defined on each dimension	The copyright of this drawing is reserved by HellermannTyton. It is issued on condition that it is not reproduced, copied or disclosed to a third party, either wholly or in part, without the consent of HellermannTyton.	Drawn KVH 08/17/12	Article/Type-No SEE TABLE 	Scale 2:1
	Approved SJA 08/17/12		Title TAPE CLIP WITH OVAL FIR TREE	Project Number 11-0339	
	HellermannTyton North America Email: corp@htamericas.com Web: www.hellermann.tyton.com		Drawing-No PRODUCTION : Phase 11-0339-011-CSU	Format AH	
				Sheet 1/1	