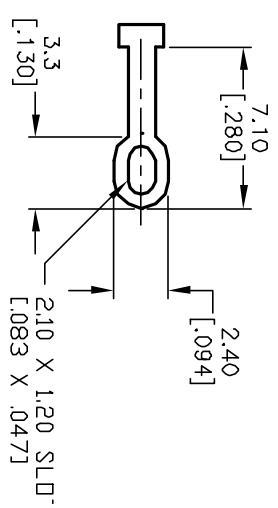
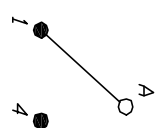
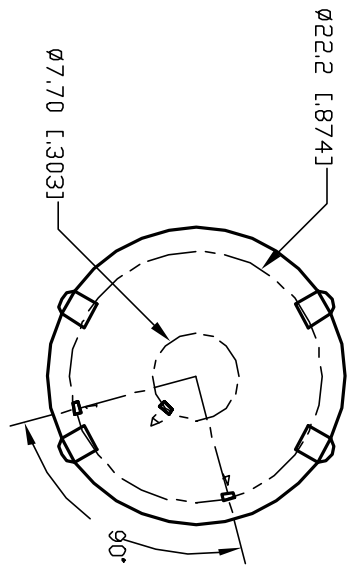
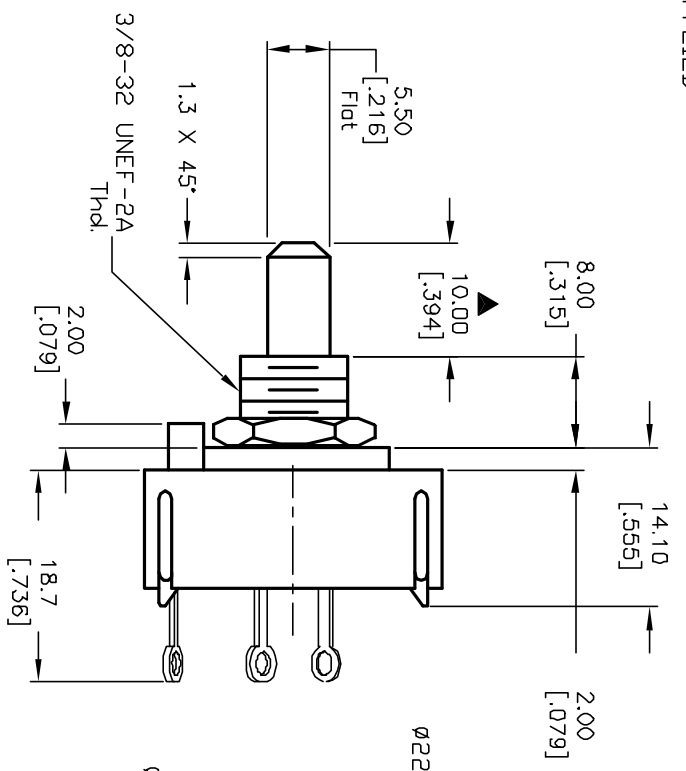


▲ HARDWARE SUPPLIED
DN SWITCH



- NOTES:
1. ALL DIMENSION IN MM [INCH]
 2. GENERAL TOLERANCE: X.X=±0.4
X.XX=±0.25
 3. TERM. NOS. FOR REF. ONLY
 4. CONTACT RATING SWITCHING: 150mA, 250V AC/DC
350mA, 110V AC/DC
 5. OPERATING FORCE: 425±100 CM/STANDARD
 6. OPERATING TEMP: -30° to 85°C
 7. CIRCUIT SP: 2 POSITIONS, 90° INDEX.
 8. DIELECTRIC STRENGTH: 1000V RMS min. @Seq Level
 9. HARDWARE SUPPLIED ON SWITCH - SEE BELOW
STOP RING, LOCKWASHER, & HEXNUT
 10. ▲ DENOTES CRITICAL PARAMETER.

A		13082	RELEASED FOR PRODUCTION	4/24/03	AR	TITLE	
REV.		ECN No.	DESCRIPTION	DATE	CHKD	KC54A10.001NLS	
A		13082	RELEASED FOR PRODUCTION	4/24/03	AR	E-SWITCH®	
REV.		ECN No.	DESCRIPTION	DATE	CHKD	SCALE	1.5:1
A		13082	RELEASED FOR PRODUCTION	4/24/03	AR	DATE	4/24/03
REV.		ECN No.	DESCRIPTION	DATE	CHKD	DR	AR
A		13082	RELEASED FOR PRODUCTION	4/24/03	AR	DWG	G527562
REV.		ECN No.	DESCRIPTION	DATE	CHKD	DR	AR
A		13082	RELEASED FOR PRODUCTION	4/24/03	AR	DWG	G527562
REV.		ECN No.	DESCRIPTION	DATE	CHKD	DR	AR
A		13082	RELEASED FOR PRODUCTION	4/24/03	AR	DWG	G527562

THE INFORMATION CONTAINED IN THIS DOCUMENT IS PROPRIETARY TO E-SWITCH AND IS NOT TO BE COPIED OR TRANSFERRED