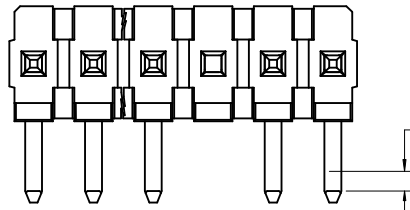
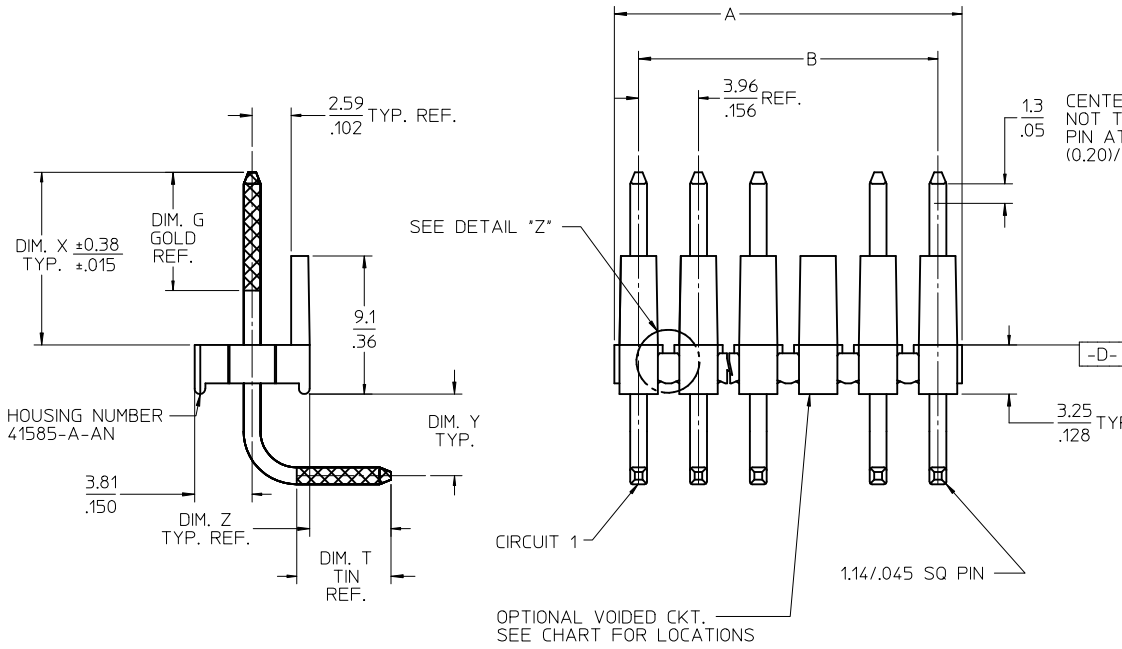


DETAIL "Z"  
SCALE 10:1



1.3  
.05 CENTERLINE OF PIN IN AREA SHOWN NOT TO VARY FROM CENTERLINE OF PIN AT DATUM -D- BY MORE THAN (0.13)/.005 IN ANY DIRECTION.



1.3  
.05 CENTERLINE OF PIN IN AREA SHOWN NOT TO VARY FROM CENTERLINE OF PIN AT DATUM -D- BY MORE THAN (0.20)/.008 IN ANY DIRECTION.

CIRCUIT	A	B
2	6.78/7.87 .267/310	3.96 .156
3	10.74/11.84 .423/466	7.92 .312
4	14.71/15.80 .579/622	11.89 .468
5	18.67/19.76 .735/778	15.85 .624
6	22.63/23.72 .891/934	19.81 .780
7	26.59/27.69 1.047/1.090	23.77 .936
8	30.56/31.65 1.203/1.246	27.74 1.092
9	34.52/35.61 1.359/1.402	31.70 1.248
10	38.48/39.57 1.515/1.558	35.66 1.404
11	42.44/43.54 1.671/1.714	39.62 1.560
12	46.41/47.50 1.827/1.870	43.59 1.716
13	50.37/51.46 1.983/2.026	47.55 1.872
14	54.33/55.42 2.139/2.182	51.51 2.028
15	58.29/59.39 2.295/2.338	55.47 2.184
16	62.26/63.35 2.451/2.494	59.44 2.340
17	66.22/67.31 2.607/2.650	63.40 2.496
18	70.18/71.27 2.763/2.806	67.36 2.652
19	74.14/75.23 2.919/2.962	71.32 2.808
20	78.11/79.20 3.075/3.118	75.29 2.964
21	82.07/83.16 3.231/3.274	79.25 3.120
22	86.03/87.12 3.387/3.430	83.21 3.276
23	89.94/91.08 3.541/3.586	87.17 3.432
24	93.85/95.00 3.695/3.740	91.14 3.588

NOTES:

- MATERIAL: GLASS FILLED POLYESTER, 94V-0, MOLDED BLACK
- FINISH: (197) OVERALL REFLOWED MATTE TIN: 0.00152/.000060 MIN. OVER 0.00127/.000050 MIN. NICKEL OVERALL.  
(208) SELECT GOLD: 0.00038/.000015 MIN. SELECT TIN: 0.00254/.000100 MIN. OVERALL NICKEL UNDERPLATE: 0.00127/.000050 MIN.  
(228) SELECT GOLD: 0.00076/.000030 MIN. SELECT TIN: 0.00254/.000100 MIN. OVERALL NICKEL UNDERPLATE: 0.00127/.000050 MIN.  
(241) SELECT GOLD: 0.00051/.000020 MIN. SELECT TIN: 0.00254/.000100 MIN. OVERALL NICKEL UNDERPLATE: 0.00127/.000050 MIN.
- PRODUCT SPECIFICATION: PS-08-50
- PACKAGING SPECIFICATION: SEE CHARTS
- PIN PUSH OUT FORCE: PRIOR TO SOLDERING, A 3 LB MINIMUM FORCE (IN EITHER DIRECTION) SHALL BE REQUIRED TO PUSH THE PIN OUT OF THE HEADER. (PARTS ARE STACKABLE END TO END ON (3.96)/.156 CENTERS. (SPACING TABS MUST BE REMOVED ON CIRCUIT SIZES 1 THROUGH 23 BEFORE PARTS ARE STACKABLE.)
- SOLDERABILITY: WHEN PARTS ARE SOLDERED AT A TEMPERATURE OF (230°C) OR 446°F FOR 5 SECONDS, EACH SOLDERED SURFACE SHALL BE A MINIMUM OF 95% COVERED WITH A SMOOTH CONTINUOUS ADHERENT COATING. FOR OTHER INFORMATION SEE SMES-152.
- THIS PART CONFORMS TO CLASS B REQUIREMENTS OF COSMETIC SPECIFICATION PS-45499-002.

A-41681- \* N \* \* \* \*

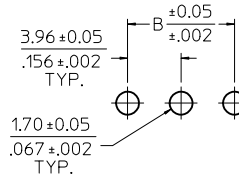
PACKAGING AND OPTIONS

NO OF CKTS

PIN DIMENSIONS

PLATING

VOID LOCATIONS  
BLANK=NO VOIDS  
NO.=CKT NO. VOIDED  
MULT-VOIDS=51 UP



PCB LAYOUT: COMPONENT SIDE  
RECOMMENDED PCB THICKNESS:  
(1.57 ± 0.18) / .062 ± .007

2-*	AG
1	AG
SHT.	REV

3. PRODUCT SPECIFICATION: PS-08-50
4. PACKAGING SPECIFICATION: SEE CHARTS
5. PIN PUSH OUT FORCE: PRIOR TO SOLDERING, A 3 LB MINIMUM FORCE (IN EITHER DIRECTION) SHALL BE REQUIRED TO PUSH THE PIN OUT OF THE HEADER. (PARTS ARE STACKABLE END TO END ON (3.96)/.156 CENTERS. (SPACING TABS MUST BE REMOVED ON CIRCUIT SIZES 1 THROUGH 23 BEFORE PARTS ARE STACKABLE.)
6. PARTS ARE STACKABLE END TO END ON (3.96)/.156 CENTERS. (SPACING TABS MUST BE REMOVED ON CIRCUIT SIZES 1 THROUGH 23 BEFORE PARTS ARE STACKABLE.)
7. SOLDERABILITY: WHEN PARTS ARE SOLDERED AT A TEMPERATURE OF (230°C) OR 446°F FOR 5 SECONDS, EACH SOLDERED SURFACE SHALL BE A MINIMUM OF 95% COVERED WITH A SMOOTH CONTINUOUS ADHERENT COATING. FOR OTHER INFORMATION SEE SMES-152.
8. THIS PART CONFORMS TO CLASS B REQUIREMENTS OF COSMETIC SPECIFICATION PS-45499-002.

ADD FINISH 197 EC NO: UCP2012-0114 DRW: WJSTROH 2011/10/18 CHK: DKH/TPPER 2011/10/21 APPR: F/SMITH 2011/10/28 REV: AG	QUALITY SYMBOLS ▽=0 ▽=0 ▽=0	GENERAL TOLERANCES (UNLESS SPECIFIED) <table border="1"> <tr><th>mm</th><th>INCH</th></tr> <tr><td>4 PLACES ± ---</td><td>± ---</td></tr> <tr><td>3 PLACES ± ---</td><td>± .010</td></tr> <tr><td>2 PLACES ± 0.25</td><td>± ---</td></tr> <tr><td>1 PLACE ± ---</td><td>± ---</td></tr> </table> ANGULAR ± 1/2°	mm	INCH	4 PLACES ± ---	± ---	3 PLACES ± ---	± .010	2 PLACES ± 0.25	± ---	1 PLACE ± ---	± ---	DIMENSION STYLE <b>MM/IN</b>	SCALE <b>4:1</b>	DESIGN UNITS <b>INCH</b>	THIRD ANGLE PROJECTION
			mm	INCH												
4 PLACES ± ---	± ---															
3 PLACES ± ---	± .010															
2 PLACES ± 0.25	± ---															
1 PLACE ± ---	± ---															
DRAWN BY SAMIEC DATE 1985/08/08	CHECKED BY PATEL DATE 1985/08/08	APPROVED BY LENZ DATE 1985/08/08	MATERIAL NO. <b>SEE CHART</b>	DOCUMENT NO. <b>SD-41682-001</b>	TITLE <b>KK .156 HEADER ASSEMBLY POLARIZING RIGHT ANGLE 2-24 CKTS</b>	SHEET NO. <b>1 OF *</b>										

DRAFT WHERE APPLICABLE MUST REMAIN WITHIN DIMENSIONS

THIS DRAWING CONTAINS INFORMATION THAT IS PROPRIETARY TO MOLEX INCORPORATED AND SHOULD NOT BE USED WITHOUT WRITTEN PERMISSION

ENG. NO: A-41682-BNA197-*								ENG. NO: A-41682-BNF208-*			
PIN NUMBER		43294-0500						PIN NUMBER		43294-0497	
PLATING		197						PLATING		208	
DIM. L		(26.16)/1.030						DIM. L		(26.16)/1.030	
DIM. X		(11.38)/.448						DIM. X		(11.43)/.450	
DIM. G (GOLD)		N/A						DIM. G (GOLD)		(6.86)/.270	
DIM. Y		(3.73)/.147						DIM. Y		(3.68)/.145	
DIM. Z		(5.26)/.207						DIM. Z		(5.26)/.207	
DIM. T (TIN)		OVERALL						DIM. T (TIN)		(5.08)/.200	
ANG. W		90°						ANG. W		90°	
PACKAGING		PK-41682-001 (BULK)						PACKAGING		PK-41682-001 (BULK)	
CKTS	EDP NO.	ENG. NO.	VOIDS	CKTS	EDP NO.	ENG. NO.	VOIDS	CKTS	EDP NO.	ENG. NO.	VOIDS
02	26-48-1024	A-41682-B2A197		05	26-50-6050	A-41682-B5A197-51	2,4	02	41682-0001	A-41682-B02F208	
03	26-48-1034	A-41682-B3A197		05	26-50-6051	A-41682-B5A197-2	2	03	41682-0002	A-41682-B03F208	
04	26-48-1044	A-41682-B4A197		05	26-50-6052	A-41682-B5A197-4	4	04	41682-0003	A-41682-B04F208	
05	26-48-1054	A-41682-B5A197		06	26-50-6063	A-41682-B6A197-3	3	05	41682-0004	A-41682-B05F208	
06	26-48-1064	A-41682-B6A197		06	26-50-6064	A-41682-B6A197-4	4	06	41682-0005	A-41682-B06F208	
07	26-48-1074	A-41682-B7A197		07	26-50-6076	A-41682-B7A197-6	6	07	41682-0006	A-41682-B07F208	
08	26-48-1084	A-41682-B8A197		10	26-50-6103	A-41682-B10A197-3	3	08	41682-0007	A-41682-B08F208	
09	26-48-1094	A-41682-B9A197		10	26-50-6108	A-41682-B10A197-8	8	09	41682-0008	A-41682-B09F208	
10	26-48-1104	A-41682-B10A197		14	26-50-6140	A-41682-B14A197-12	12	10	41682-0009	A-41682-B10F208	
11	26-48-1114	A-41682-B11A197		15	26-50-6154	A-41682-B15A197-4	4	11	41682-0010	A-41682-B11F208	
12	26-48-1124	A-41682-B12A197		16	26-50-6161	A-41682-B16A197-10	10	12	41682-0011	A-41682-B12F208	
13	26-48-1134	A-41682-B13A197		16	26-50-6166	A-41682-B16A197-6	6	13	41682-0012	A-41682-B13F208	
14	26-48-1144	A-41682-B14A197		18	26-50-6181	A-41682-B18A197-51	5,7,9,11	14	41682-0013	A-41682-B14F208	
15	26-48-1154	A-41682-B15A197		24	26-50-6241	A-41682-B24A197-51	5,13	15	41682-0014	A-41682-B15F208	
16	26-48-1164	A-41682-B16A197						16	41682-0015	A-41682-B16F208	
17	26-48-1174	A-41682-B17A197						17	41682-0016	A-41682-B17F208	
18	26-48-1184	A-41682-B18A197						18	41682-0017	A-41682-B18F208	
19	26-48-1194	A-41682-B19A197						19	41682-0018	A-41682-B19F208	
20	26-48-1204	A-41682-B20A197						20	41682-0019	A-41682-B20F208	
21	26-48-1214	A-41682-B21A197						21	41682-0020	A-41682-B21F208	
22	26-48-1224	A-41682-B22A197						22	41682-0021	A-41682-B22F208	
23	26-48-1234	A-41682-B23A197						23	41682-0022	A-41682-B23F208	
24	26-48-1244	A-41682-B24A197						24	41682-0023	A-41682-B24F208	

<b>REV:</b> <b>AG</b>	<b>ECR/ECN INFORMATION</b>	<b>TITLE:</b> <b>KK .156 HEADER ASSEMBLY POLARIZING RIGHT ANGLE 2-24 CKTS</b>	<b>SHEET No.</b>
	<b>EC No:</b> UCP2012-0014		<b>- 2 -</b>
	<b>DATE:</b> 10/31/2011		
<b>DOCUMENT NUMBER:</b> <b>SD-41682-001</b>	<b>CREATED / REVISED BY:</b> <b>MMSTROH</b>	<b>CHECKED BY:</b> <b>MKIPPER</b>	<b>APPROVED BY:</b> <b>FSMITH</b>

ENG. NO: A-41682-BNF228-*				ENG. NO: A-41682-BNA241-*				ENG. NO: A-41682-BNB197-*			
PIN NUMBER		43294-0498		PIN NUMBER		43294-0501		PIN NUMBER		43294-0500	
PLATING		228		PLATING		241		PLATING		197	
DIM. L		(26.16)/1.030		DIM. L		(26.16)/1.030		DIM. L		(26.16)/1.030	
DIM. X		(11.43)/.450		DIM. X		(11.38)/.448		DIM. X		(12.90)/.508	
DIM. G (GOLD)		(6.86)/.270		DIM. G (GOLD)		(6.85)/.270		DIM. G (GOLD)		N/A	
DIM. Y		(3.68)/.145		DIM. Y		(3.73)/.147		DIM. Y		(3.73)/.147	
DIM. Z		(5.26)/.207		DIM. Z		(5.26)/.207		DIM. Z		(3.76)/.148	
DIM. T (TIN)		(5.08)/.200		DIM. T (TIN)		(5.08)/.200		DIM. T (TIN)		OVERALL	
ANG. W		90°		ANG. W		90°		ANG. W		90°	
PACKAGING		PK-41682-001 (BULK)		PACKAGING		PK-41682-001 (BULK)		PACKAGING		PK-41682-001 (BULK)	
CKTS	EDP NO.	ENG. NO.	VOIDS	CKTS	EDP NO.	ENG. NO.	VOIDS	CKTS	EDP NO.	ENG. NO.	VOIDS
02	41682-0024	A-41682-B02F228		02	26-48-2024	A-41682-B2A241		02	41682-0047	A-41682-B2B197	
03	41682-0025	A-41682-B03F228		03	26-48-2034	A-41682-B3A241		03	41682-0048	A-41682-B3B197	
04	41682-0026	A-41682-B04F228		04	26-48-2044	A-41682-B4A241		04	26-48-6046	A-41682-B4B197	
05	41682-0027	A-41682-B05F228		05	26-48-2054	A-41682-B5A241		05	41682-0049	A-41682-B5B197	
06	41682-0028	A-41682-B06F228		06	26-48-2064	A-41682-B6A241		06	41682-0050	A-41682-B6B197	
07	41682-0029	A-41682-B07F228		07	26-48-2074	A-41682-B7A241		07	41682-0051	A-41682-B7B197	
08	41682-0030	A-41682-B08F228		08	26-48-2084	A-41682-B8A241		08	41682-0052	A-41682-B8B197	
09	41682-0031	A-41682-B09F228		09	26-48-2094	A-41682-B9A241		09	41682-0053	A-41682-B9B197	
10	41682-0032	A-41682-B10F228		10	26-48-2104	A-41682-B10A241		10	26-48-6106	A-41682-B10B197	
11	41682-0033	A-41682-B11F228		11	26-48-2114	A-41682-B11A241		11	41682-0054	A-41682-B11B197	
12	41682-0034	A-41682-B12F228		12	26-48-2124	A-41682-B12A241		12	41682-0055	A-41682-B12B197	
13	41682-0035	A-41682-B13F228		13	26-48-2134	A-41682-B13A241		13	41682-0056	A-41682-B13B197	
14	41682-0036	A-41682-B14F228		14	26-48-2144	A-41682-B14A241		14	41682-0057	A-41682-B14B197	
15	41682-0037	A-41682-B15F228		15	26-48-2154	A-41682-B15A241		15	41682-0058	A-41682-B15B197	
16	41682-0038	A-41682-B16F228		16	26-48-2164	A-41682-B16A241		16	41682-0059	A-41682-B16B197	
17	41682-0039	A-41682-B17F228		17	26-48-2174	A-41682-B17A241		17	41682-0060	A-41682-B17B197	
18	41682-0040	A-41682-B18F228		18	26-48-2184	A-41682-B18A241		18	41682-0061	A-41682-B18B197	
19	41682-0041	A-41682-B19F228		19	26-48-2194	A-41682-B19A241		19	41682-0062	A-41682-B19B197	
20	41682-0042	A-41682-B20F228		20	26-48-2204	A-41682-B20A241		20	41682-0063	A-41682-B20B197	
21	41682-0043	A-41682-B21F228		21	26-48-2214	A-41682-B21A241		21	41682-0064	A-41682-B21B197	
22	41682-0044	A-41682-B22F228		22	26-48-2224	A-41682-B22A241		22	41682-0065	A-41682-B22B197	
23	41682-0045	A-41682-B23F228		23	26-48-2234	A-41682-B23A241		23	41682-0066	A-41682-B23B197	
24	41682-0046	A-41682-B24F228		24	26-48-2244	A-41682-B24A241		24	26-48-6246	A-41682-B24B197	

REV:  <b>AG</b>	ECR/ECN INFORMATION EC No: <b>UCP2012-0014</b> DATE: <b>10/31/2011</b>	TITLE: <b>KK .156 HEADER ASSEMBLY                  POLARIZING RIGHT ANGLE                  2-24 CKTS</b>	SHEET No. <b>- 3 -</b>
	DOCUMENT NUMBER: <b>SD-41682-001</b>	CREATED / REVISED BY: <b>MMSTROH</b>	CHECKED BY: <b>MKIPPER</b>

ENG. NO: A-41682-BNA197-*				ENG. NO: A-41682-BNC197-*				ENG. NO: A-41682-BNE197-*			
PIN NUMBER		43294-0500		PIN NUMBER		43294-0455		PIN NUMBER		43294-0436	
PLATING		197		PLATING		197		PLATING		197	
DIM. L		(26.16)/1.030		DIM. L		(24.87)/.980		DIM. L		(24.38)/.960	
DIM. X		(11.38)/.448		DIM. X		(11.43)/.450		DIM. X		(11.17)/.440	
DIM. G (GOLD)		N/A		DIM. G (GOLD)		N/A		DIM. G (GOLD)		N/A	
DIM. Y		(3.73)/.147		DIM. Y		(3.18)/.125		DIM. Y		(3.73)/.147	
DIM. Z		(5.26)/.207		DIM. Z		(4.52)/.178		DIM. Z		(3.66)/.144	
DIM. T (TIN)		OVERALL		DIM. T (TIN)		OVERALL		DIM. T (TIN)		OVERALL	
ANG. W		90°		ANG. W		90°		ANG. W		90°	
PACKAGING		PK-41682-001 (BULK)		PACKAGING		PK-41682-001 (BULK)		PACKAGING		PK-41682-001 (BULK)	
CKTS	EDP NO.	ENG. NO.	VOIDS	CKTS	EDP NO.	ENG. NO.	VOIDS	CKTS	EDP NO.	ENG. NO.	VOIDS
02	26-48-1028	A-41682-B2A197		02	41682-0088	A-41682-B2C197		02	41682-0110	A-41682-B2E197	
03	26-48-1038	A-41682-B3A197		03	26-48-7036	A-41682-B3C197		03	26-48-6033	A-41682-B3E197	
04	41682-0067	A-41682-B4A197		04	41682-0089	A-41682-B4C197		04	41682-0111	A-41682-B4E197	
05	41682-0068	A-41682-B5A197		05	41682-0090	A-41682-B5C197		05	41682-0112	A-41682-B5E197	
06	41682-0069	A-41682-B6A197		06	41682-0091	A-41682-B6C197		06	41682-0113	A-41682-B6E197	
07	41682-0070	A-41682-B7A197		07	41682-0092	A-41682-B7C197		07	41682-0114	A-41682-B7E197	
08	41682-0071	A-41682-B8A197		08	41682-0093	A-41682-B8C197		08	41682-0115	A-41682-B8E197	
09	41682-0072	A-41682-B9A197		09	41682-0094	A-41682-B9C197		09	41682-0116	A-41682-B9E197	
10	41682-0073	A-41682-B10A197		10	41682-0095	A-41682-B10C197		10	41682-0117	A-41682-B10E197	
11	41682-0074	A-41682-B11A197		11	41682-0096	A-41682-B11C197		11	41682-0118	A-41682-B11E197	
12	41682-0075	A-41682-B12A197		12	41682-0097	A-41682-B12C197		12	41682-0119	A-41682-B12E197	
13	41682-0076	A-41682-B13A197		13	41682-0098	A-41682-B13C197		13	41682-0120	A-41682-B13E197	
14	41682-0077	A-41682-B14A197		14	41682-0099	A-41682-B14C197		14	41682-0121	A-41682-B14E197	
15	41682-0078	A-41682-B15A197		15	41682-0100	A-41682-B15C197		15	26-48-6153	A-41682-B15E197	
16	41682-0079	A-41682-B16A197		16	41682-0101	A-41682-B16C197		16	41682-0122	A-41682-B16E197	
17	41682-0080	A-41682-B17A197		17	41682-0102	A-41682-B17C197		17	41682-0123	A-41682-B17E197	
18	41682-0081	A-41682-B18A197		18	41682-0103	A-41682-B18C197		18	41682-0124	A-41682-B18E197	
19	41682-0082	A-41682-B19A197		19	41682-0104	A-41682-B19C197		19	41682-0125	A-41682-B19E197	
20	41682-0083	A-41682-B20A197		20	41682-0105	A-41682-B20C197		20	41682-0126	A-41682-B20E197	
21	41682-0084	A-41682-B21A197		21	41682-0106	A-41682-B21C197		21	41682-0127	A-41682-B21E197	
22	41682-0085	A-41682-B22A197		22	41682-0107	A-41682-B22C197		22	41682-0128	A-41682-B22E197	
23	41682-0086	A-41682-B23A197		23	41682-0108	A-41682-B23C197		23	41682-0129	A-41682-B23E197	
24	41682-0087	A-41682-B24A197		24	41682-0109	A-41682-B24C197		24	41682-0130	A-41682-B24E197	

<b>REV:</b>  <b>AG</b>	<b>ECR/ECN INFORMATION</b>	<b>TITLE:</b>  <b>KK .156 HEADER ASSEMBLY POLARIZING RIGHT ANGLE 2-24 CKTS</b>	<b>SHEET No.</b>
	<b>EC No: UCP2012-0014</b>		<b>- 4 -</b>
	<b>DATE: 10/31/2011</b>		
<b>DOCUMENT NUMBER:</b> <b>SD-41682-001</b>	<b>CREATED / REVISED BY:</b> <b>MMSTROH</b>	<b>CHECKED BY:</b> <b>MKIPPER</b>	<b>APPROVED BY:</b> <b>FSMITH</b>

ENG. NO: A-41682-BNF197-*				ENG. NO: A-41682-BNB241-*				ENG. NO:			
PIN NUMBER		43294-0436		PIN NUMBER		43294-0501		PIN NUMBER			
PLATING		197		PLATING		241		PLATING			
DIM. L		(24.38)/.960		DIM. L		(26.16)/1.030		DIM. L			
DIM. X		(11.43)/.450		DIM. X		(12.90)/.508		DIM. X			
DIM. G (GOLD)		N/A		DIM. G (GOLD)		(6.85)/.270		DIM. G (GOLD)			
DIM. Y		(3.73)/.147		DIM. Y		(3.73)/.147		DIM. Y			
DIM. Z		(3.40)/.134		DIM. Z		(3.76)/.148		DIM. Z			
DIM. T (TIN)		OVERALL		DIM. T (TIN)		(5.08)/.200		DIM. T (TIN)			
ANG. W		90°		ANG. W		90°		ANG. W			
PACKAGING		PK-41682-001 (BULK)		PACKAGING		PK-41682-001 (BULK)		PACKAGING			
CKTS	EDP NO.	ENG. NO.	VOIDS	CKTS	EDP NO.	ENG. NO.	VOIDS	CKTS	EDP NO.	ENG. NO.	VOIDS
02	26-48-5025	A-41682-B2F197		02				02			
03	26-48-5035	A-41682-B3F197		03				03			
04	26-48-5045	A-41682-B4F197		04				04			
05	26-48-5055	A-41682-B5F197		05				05			
06	26-48-5065	A-41682-B6F197		06				06			
07	26-48-5075	A-41682-B7F197		07				07			
08	26-48-5085	A-41682-B8F197		08				08			
09	26-48-5095	A-41682-B9F197		09				09			
10	26-48-5105	A-41682-B10F197		10				10			
11	26-48-5115	A-41682-B11F197		11				11			
12	26-48-5125	A-41682-B12F197		12				12			
13	26-48-5135	A-41682-B13F197		13				13			
14	26-48-5145	A-41682-B14F197		14				14			
15	26-48-5155	A-41682-B15F197		15				15			
16	26-48-5165	A-41682-B16F197		16				16			
17	26-48-5175	A-41682-B17F197		17				17			
18	26-48-5185	A-41682-B18F197		18				18			
19	26-48-5195	A-41682-B19F197		19				19			
20	26-48-5205	A-41682-B20F197		20				20			
21	26-48-5215	A-41682-B21F197		21				21			
22	26-48-5225	A-41682-B22F197		22				22			
23	26-48-5235	A-41682-B23F197		23				23			
24	26-48-5246	A-41682-B24F197		24	41682-0153	A-41682-B24B241		24			
20	26-48-5203	A-41682-B20F197-17	17								

--	--	--	--

<b>AG</b>	REV:	ECR/ECN INFORMATION	TITLE:	KK .156 HEADER ASSEMBLY POLARIZING RIGHT ANGLE 2-24 CKTS	SHEET No.
		EC No: <b>UCP2012-0014</b>			<b>- 5 -</b>
	DATE: <b>10/31/2011</b>				
DOCUMENT NUMBER:		CREATED / REVISED BY:	CHECKED BY:	APPROVED BY:	
<b>SD-41682-001</b>		<b>MMSTROH</b>	<b>MKIPPER</b>	<b>FSMITH</b>	