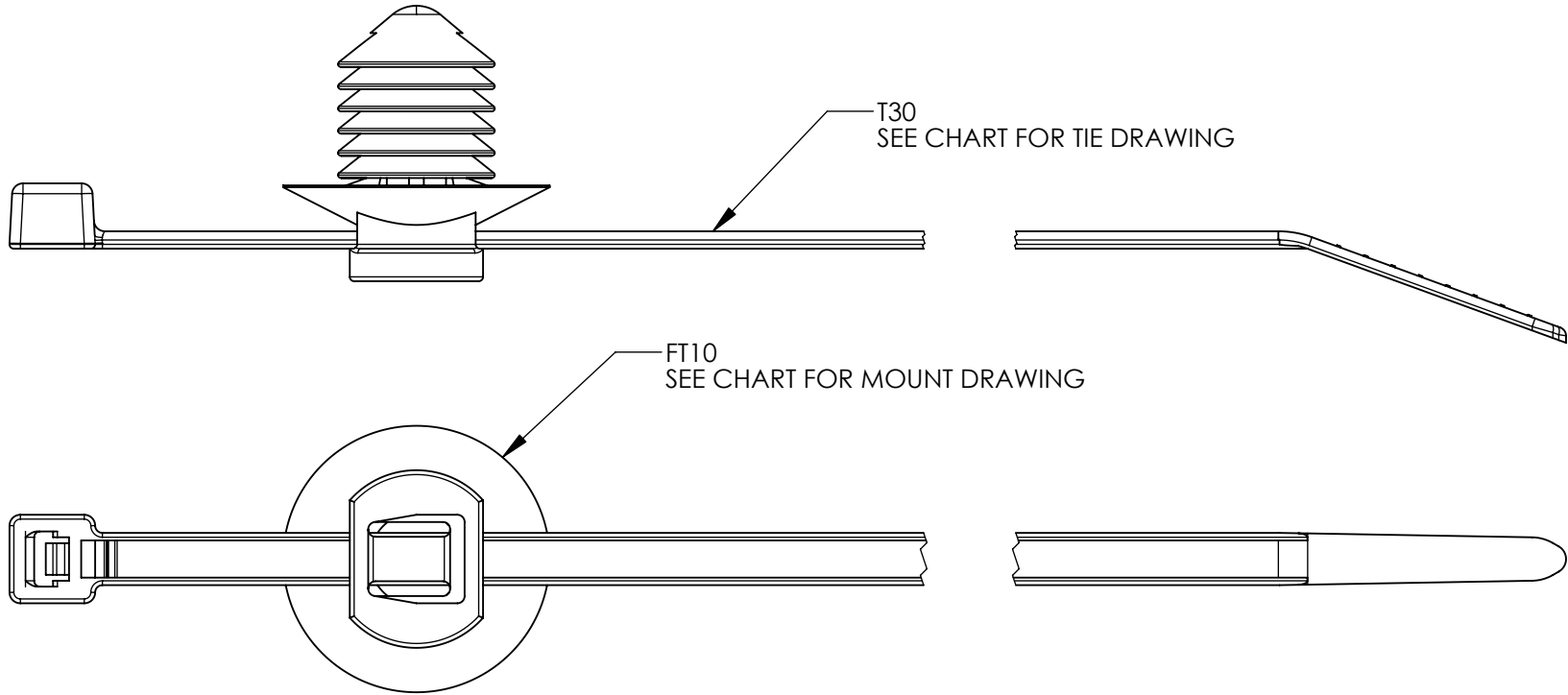


| Revision level | | Revision Record | Changed | Date | Approved | Date |
|----------------|---------|-----------------|---------|------------|----------|------------|
| Part | Drawing | | | | | |
| - | 01 | See ECN 010559 | AAC | 12/05/2006 | KAC | 12/05/2006 |



| PRODUCT CODE | MATERIAL | CABLE RANGE (mm) | TIE DRAWING | MOUNT DRAWING |
|--------------|----------|------------------|--------------|----------------|
| T30RFT10_ | PA66HS | 5 to 35 | CT2030001CST | XMT-INSL006CST |

Dimension tolerances unless otherwise specified

.xxxx = ±.013
 .xxx = ±.13
 .xx = ±.3
 .x = ±.8
 ∠ = ±0.5°

Dimension Units millimeters

PERFORMANCE SPECIFICATION

SW 2007

ALL PROPRIETARY RIGHTS IN THE SUBJECT MATTER SHOWN ON THIS DRAWING ARE EXCLUSIVE PROPERTY OF HELLERMANNNTYTON

| | | |
|----------|-----|------------|
| Drawn | AAC | 12/05/2006 |
| Approved | KAC | 12/05/2006 |

HellermannTyton[®]
Cable Management Products

7930 N. Faulkner Rd.
 Milwaukee, WI 53224
 Ph: (414) 355-1130
 Fx: (414) 362-8338

| | | |
|---|------------------------|--|
| Scale | 2:1 | Computer File Number CT06-035-001CST_01 |
| Title T30RFT10 STANDARD CABLE TIE WITH FT10 MOUNT | | |
| Drawing-No | CT06-035-001CST | |
| | Format AH | Sheet 1 of 1 |

Product Number
Cross Reference Record

Uncontrolled Document

| Pre-UNS Number System | (New) UNS Universal Number System | Customer Part Number |
|--|--|---------------------------------|
| Product Number T30RFT10 | Product Number 156-00089 | Product Number - |
| Reference Drawing Number: CT06-035-001CST | | |

| | | |
|------------------------|-----------------------------------|--------------------------|
| Issued By: | (New) UNS Product Number | Issue Date: |
| HellermannTyton | Universal Numbering System | December 11, 2006 |