

5

4

3

2

1

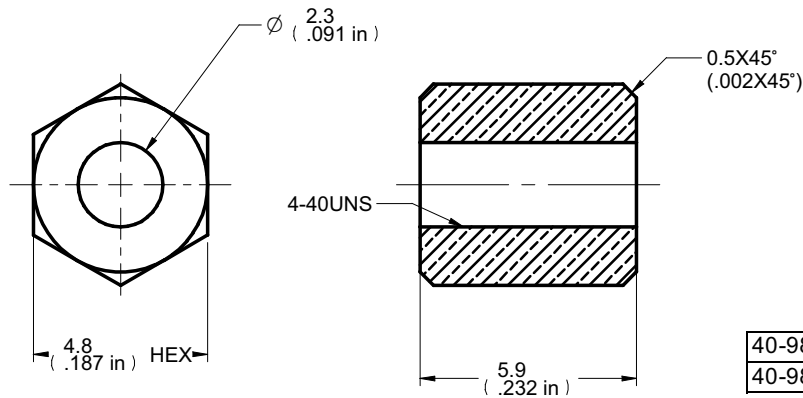
| 受控 CONTROLLED DOCUMENT | | | | | |
|------------------------|---------------|-----------|----|------------------|-----------|
| 编号 P/N | 40-98443-CUST | 版本 Rev | 01 | 日期 Rel'd Date | SEP 17,09 |

Description: Hex Standoff,.240"/.195"
 Part No: 40-98443N/ -C
 Application: D-Sub Hardware
 Crimp Tool: N/A
 Impedance: N/A
 Frequency Range: N/A
 Material: Nut Brass Nickel Plated
 RoHS Compliance: Yes
 Technical Detail: N/A

DRAWING NO.
40-98443N /-C

REVISIONS

| | | | | | |
|----|------------------|---|---|---|-----------|
| 01 | OFFICIAL RELEASE | | | | 2009.09.1 |
| | 08-05-09 | I | W | T | H |



| | |
|-------------|---------------------------------|
| 40-98443N-C | HEX STANDOFF,.240"/.195"(50SET) |
| 40-98443N | HEX STANDOFF,.240"/.195"(1SET) |

CUSTOMER COPY

DIM OUTLINE

| | | | |
|--------------------------------------|--------|-----------------------|------------------|
| TOLERANCE UNLESS OTHERWISE SPECIFIED | | DRAWN BY IVON.W | DATE 08-05-09 |
| DECIMALS | mm | CHECKED BY IVON.W | DATE 08-05-09 |
| X | ± 0.5 | APPROVED BY THOMAS | DATE 08-05-09 |
| X.X | ± 0.3 | | |
| X.XX | ± 0.1 | | |
| ANGLES | ± 0.5° | U/M | mm |

cinch
CONNECTIVITY SOLUTIONS
a bel group

TITLE
HEX STANDOFF,.240"/.195"

SHEET 1 OF 1 DRAWING NO. 40-98443N /-C SIZE A

THIS DRAWING WAS PRODUCED BY COMPUTER,
DO NOT SCALE DRAWING OR UPDATE MANUALLY.

5

4

3

2

1