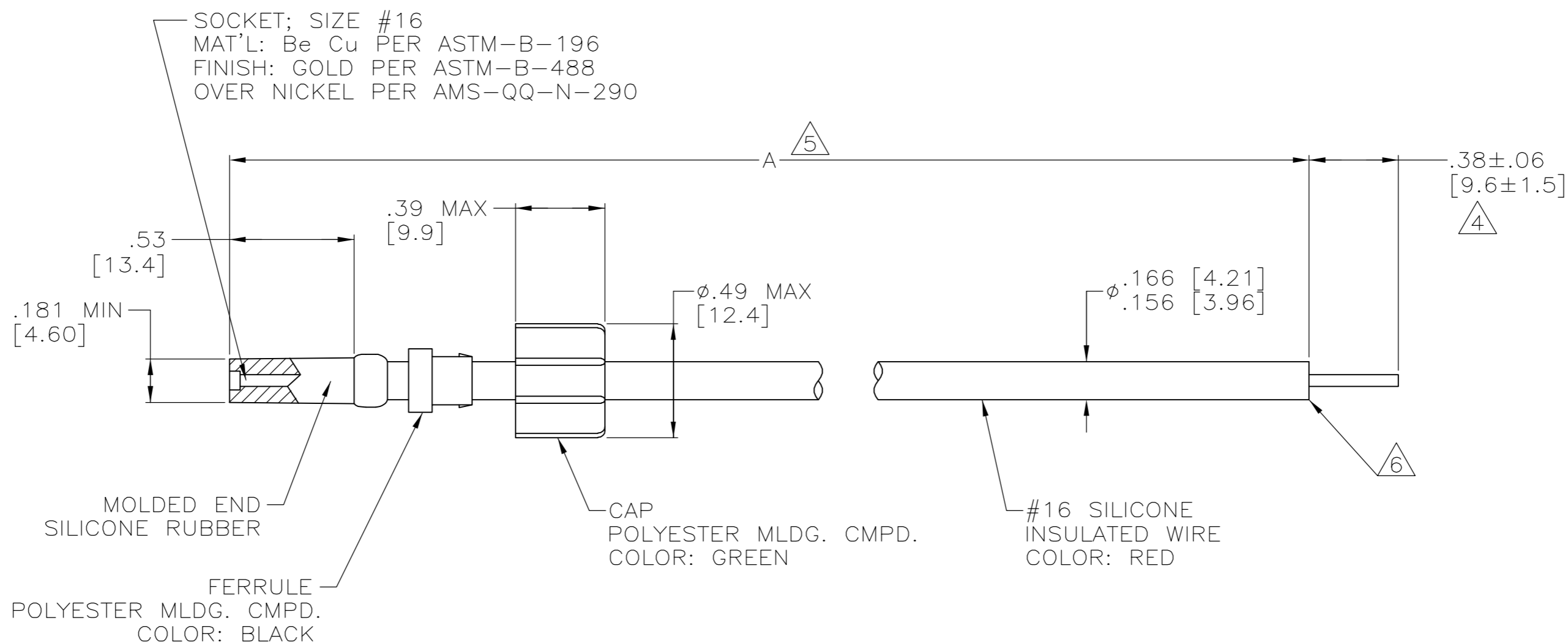


THIS DRAWING IS UNPUBLISHED. RELEASED FOR PUBLICATION - N/A .
 © COPYRIGHT N/A BY TYCO ELECTRONICS CORPORATION. ALL RIGHTS RESERVED.

LOC	DIST	REVISIONS					
DF	S0	P	LTR	DESCRIPTION	DATE	DWN	APVD
		D		REV PER ECO-05-002584	07-05	AA	DE

1. MARKED PER MIL-STD-130; .09 HIGH CHARS.
 2. TO MATE WITH AMP LGH-1/2 RECEPTACLE WITH .53 [13.4] BARREL DEPTH.
 3. OPERATING VOLTAGE: 10 KVDC AT 0 TO 70,000 FEET, -55°C TO 125°C.
- △4 PIGTAIL IS SOLDER DIPPED. (868399-1,-2, & -3 ONLY)
- △5 TOLERANCE OF LEAD LENGTH:
 UP TO 24 INCHES [609.6] = ±.12 [±3.0]
 24 INCHES [609.6] & UP = ±1%
- △6 INSULATION CUT BUT NOT REMOVED. (5-868399-3 ONLY)



△6	15.00 [381.0]	5-868399-3
△4	15.00 [381.0]	868399-3
△4	36.00 [914.4]	868399-2
△4	24.00 [609.6]	868399-1
REMARKS	A DIM △5	PART NO.

THIS DRAWING IS A CONTROLLED DOCUMENT.		DWN 30-JUL-90 C.C.THOMAS	Tyco Electronics Corporation Harrisburg, Pa 17105-3608	
DIMENSIONS: INCHES		CHK 28-AUG-90 D.OPLINGER	NAME LEAD ASSY POS STOP, SGL END (RED) LGH-1/2	
TOLERANCES UNLESS OTHERWISE SPECIFIED:		APVD 28-AUG-90 D.EABY	PRODUCT SPEC	
0 PLC ± -		APPLICATION SPEC		
1 PLC ± -		WEIGHT -		
2 PLC ± .02 [0.5]		SCALE A2 00779 C=868399		
3 PLC ± -		RESTRICTED TO -		
4 PLC ± -		CUSTOMER DRAWING		
ANGLES ± -		SCALE 2:1 SHEET 1 OF 1 REV D		
FINISH SEE CALLOUTS				

868399

A