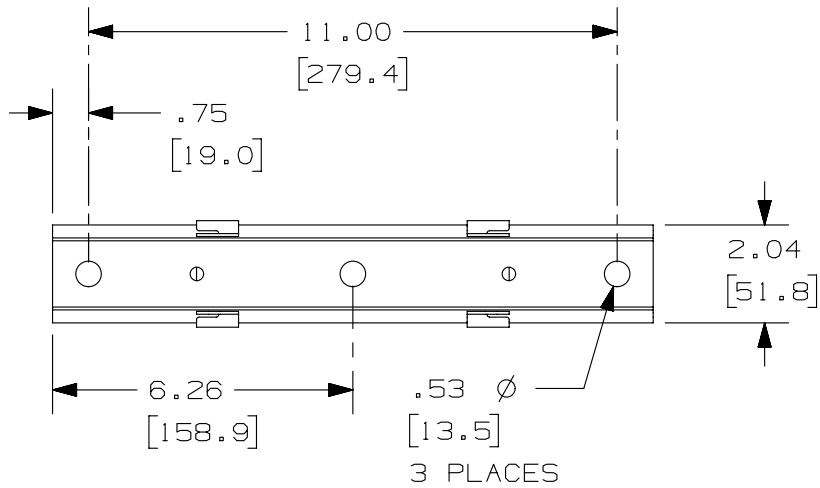


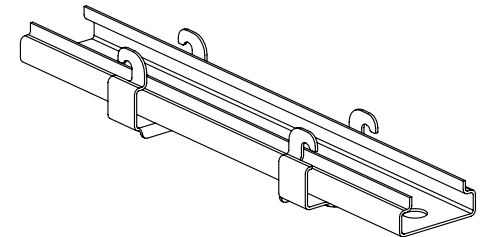
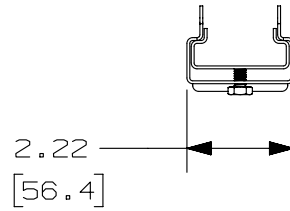
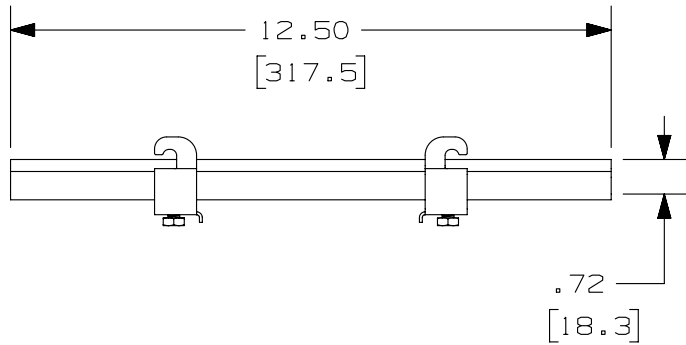
THIS COPY IS PROVIDED ON A RESTRICTED BASIS AND IS NOT TO BE USED IN ANY WAY DETRIMENTAL TO THE INTERESTS OF PANDUIT CORP.



PANDUIT PART NUMBER	WEIGHT
WGTBS8	.98 LBS (445 g)

NOTES:

- SEE CURRENT CATALOG FOR PART NUMBER DESIGNATION FOR TYPE AND COLOR.
- EACH PACKAGE CONSISTS OF:
 (1) WYR-GRID TRAPEZE BRACKET
 (2) WYR-GRID TRAPEZE BRACKET CLIPS
- WYR-GRID TRAPEZE BRACKETS SUPPORT WYR-GRID PATHWAY SUSPENDED FROM 1/2" (M12) THREADED RODS.
- DIMENSIONS IN PARENTHESES ARE METRIC



REV	DATE	BY	CHK	APR	DESCRIPTION	ECN
R	11-13-13	SSP	DWW	RN	RELEASED TO PRODUCTION	12D345AJ-DC

TITLE		WYR-GRID TRAPEZE BRACKET 8" (WGTBS8)	
CUSTOMER DRAWING			
ITEM REVISION NAME		12D345AJ/00	
DATASET FILE NAME		12D345AJ_DC/00A WGTBS8**	
UNLESS OTHERWISE SPECIFIED, DIMENSIONAL TOLERANCES ARE: IN (mm)		MATERIAL: STEEL	
.X ± .XX ± .05 [1.3]		.XXX ± ANGLES ±	
DRAWN BY SSP		DATE 11-13-13	
CHK DWW		SCALE NONE	
THIRD ANGLE PROJECTION		DRAWING NUMBER: 12D345AJ-DC	
SHT 1 OF 1		SIZE A	