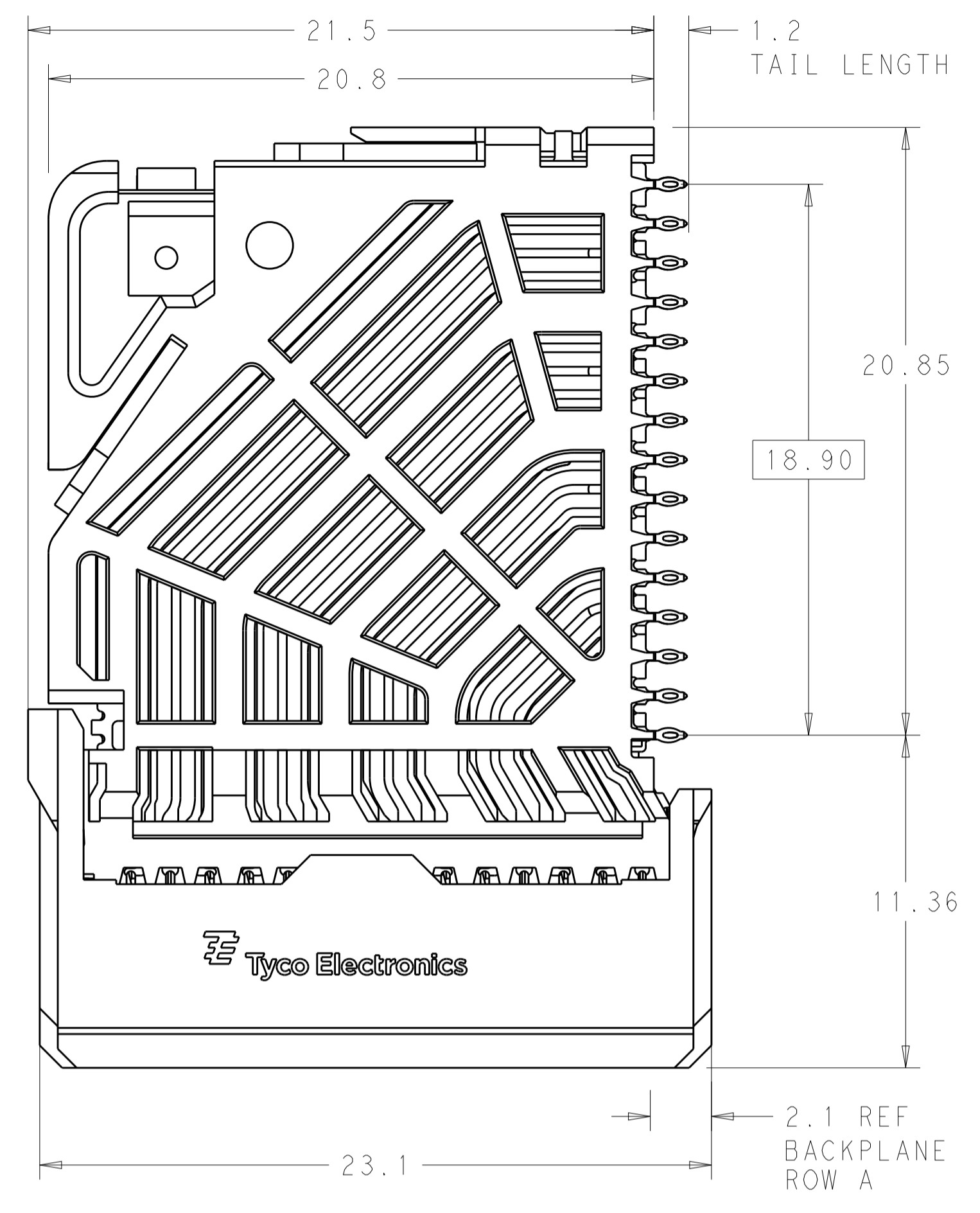
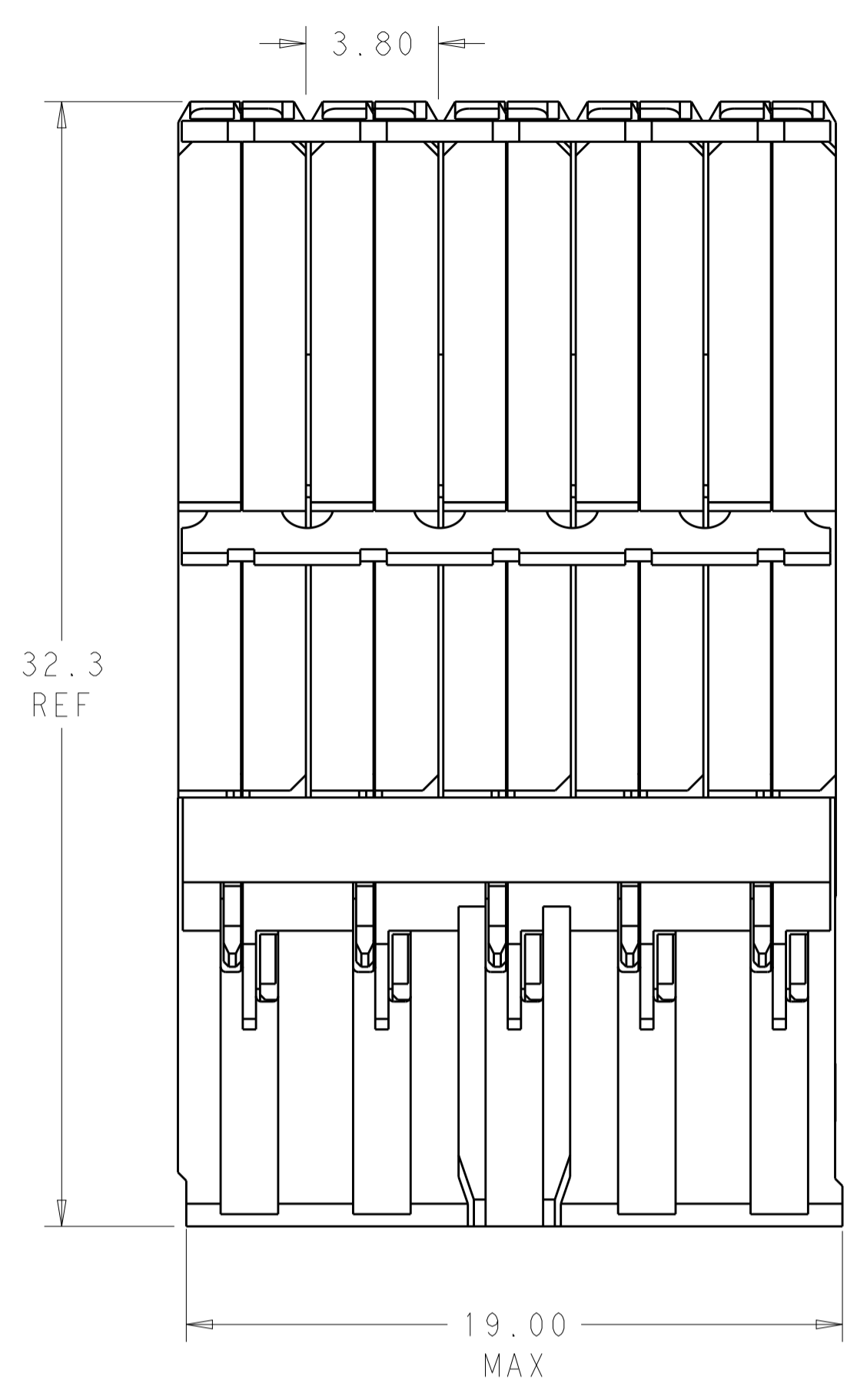
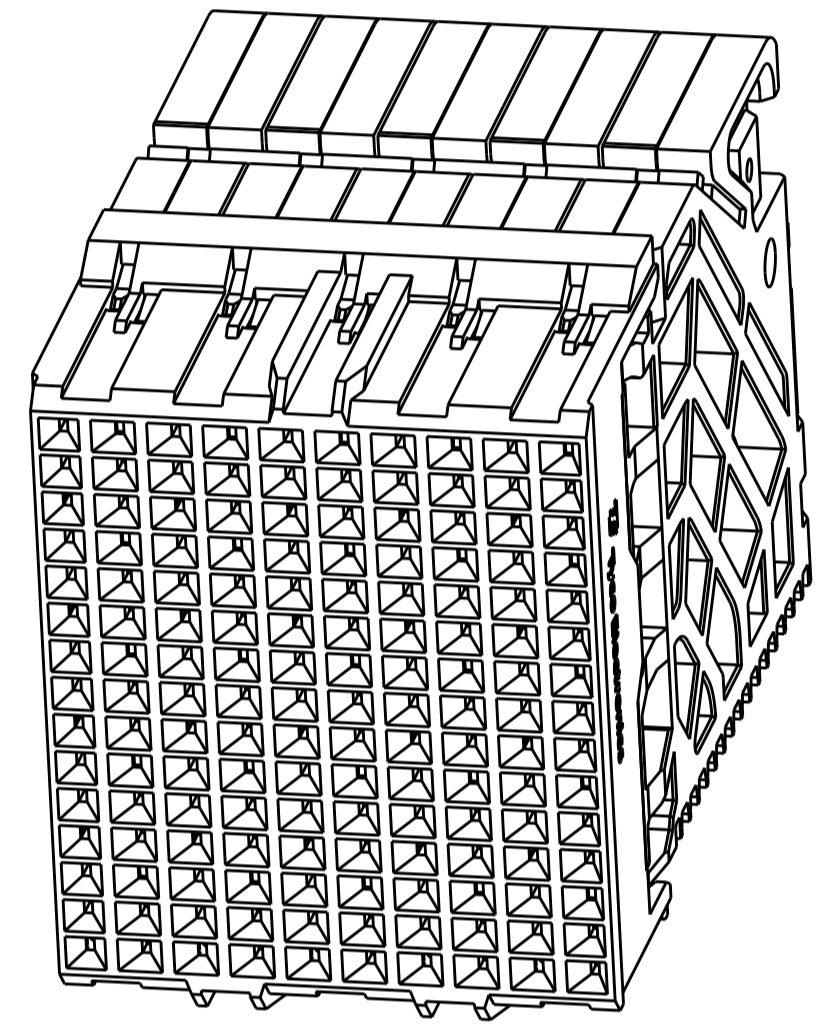


REVISIONS				
P.	LTN.	DESCRIPTION	DATE	APVD.
C2		REVISED PER ECO-15-004915	09APR2015	AP DD

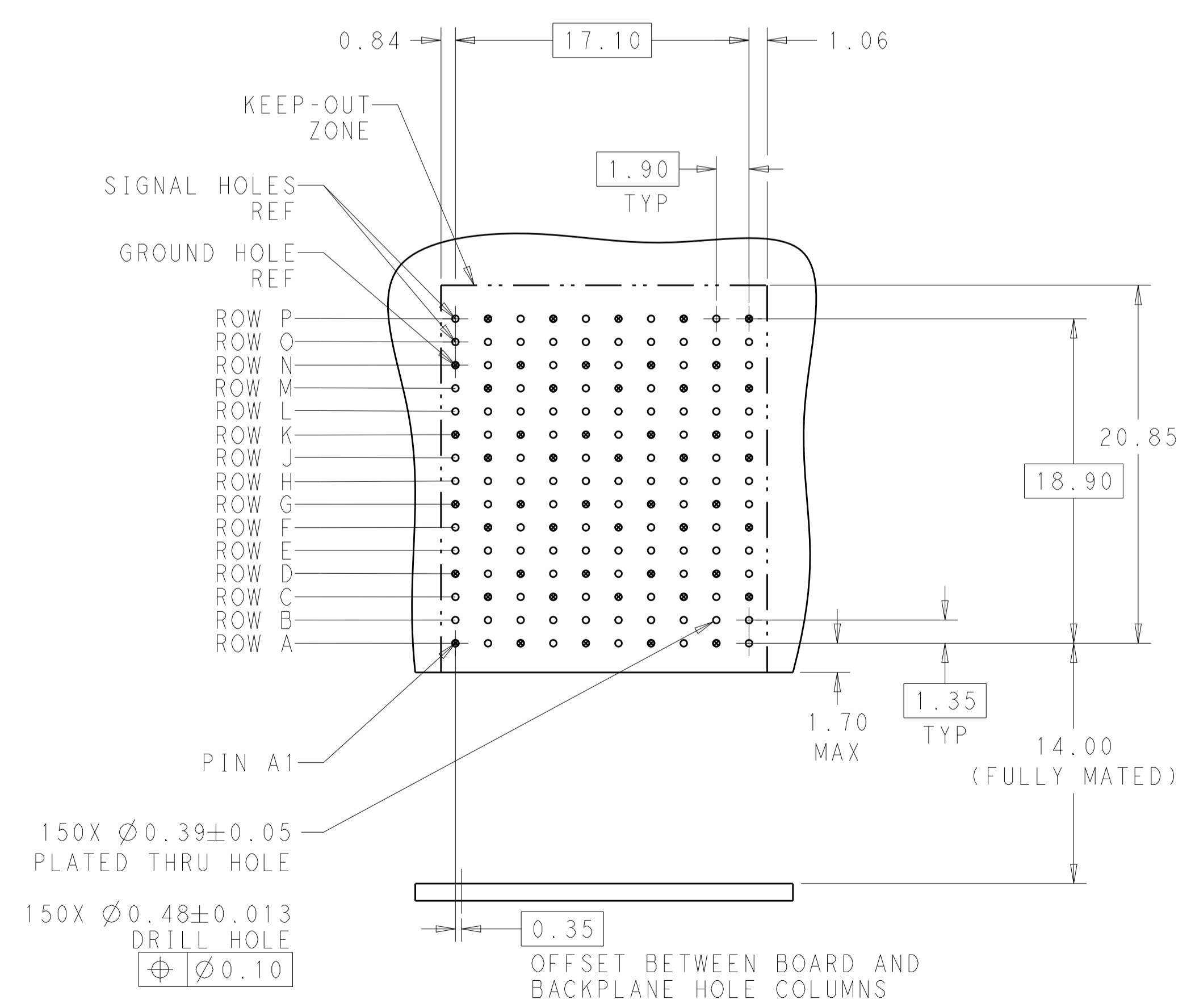
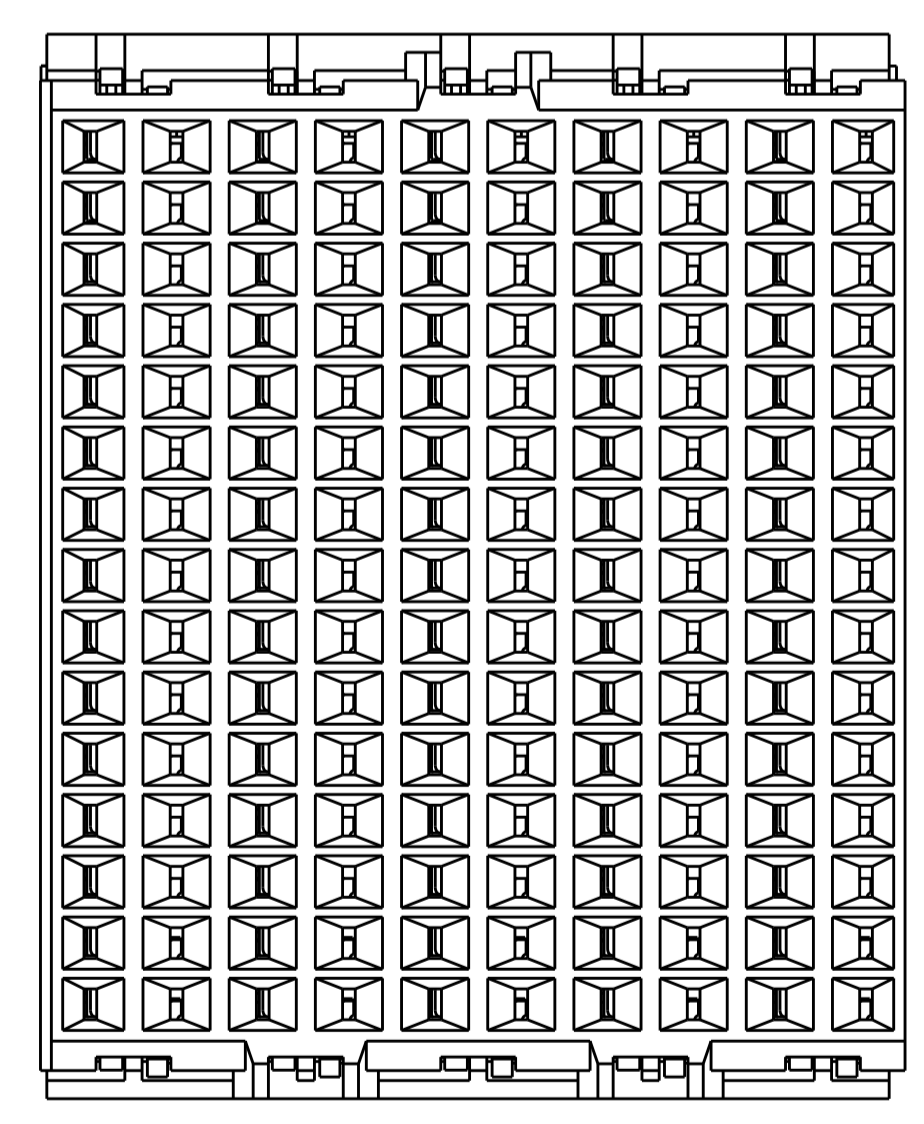


- ⚠ MATERIAL:
HOUSING: LCP, GLASS FILLED, UL94V-0.
TERMINALS: HIGH PERFORMANCE COPPER ALLOY.
- ⚠ FINISH:
30μ" SELECTIVE GOLD IN CONTACT AREA. SELECTIVE TIN ON PCB TAILS, NICKEL OVERALL.
- 3. CONNECTORS SUPPLIED WITH MOUNTING SCREW.



SCALE 4:1

REFER TO WWW.TE.COM FOR PRODUCT AVAILABILITY



RECOMMENDED PCB LAYOUT
 MIN BOARD THICKNESS 1.0

NONE	⚠	2110106-1
KEY POSITION	FINISH	PART NUMBER
STE TE Connectivity		
DIMENSIONS: mm TOLERANCES UNLESS OTHERWISE SPECIFIED: 0 PLC ± 1 PLC ±0.2 2 PLC ±0.13 3 PLC ± 4 PLC ± ANGLES ± FINISH SEE TABLE		DWN J.K. SHOBER 19JAN2011 CHK D. DIXON 19JAN2011 APVD D. DIXON 19JAN2011 NAME IMPACT, 5 PAIR, DAUGHTERCARD PRODUCT SPEC 10 COLUMN, UNGUIDED, SIGNAL APPLICATION SPEC MODULE, 0.39 EYELET SIZE CAGE CODE DRAWING NO. RESTRICTED TO WEIGHT A100779C=2110106 Customer Drawing SCALE 6:1 SHEET 1 OF 1 REV C2