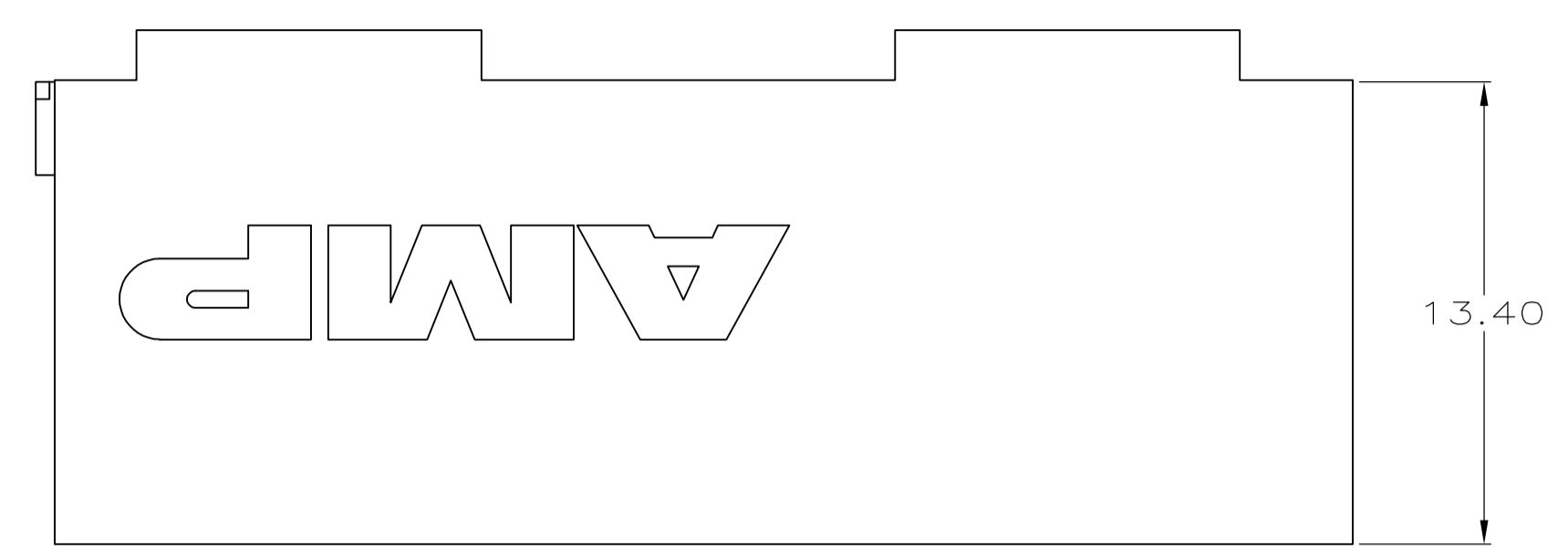
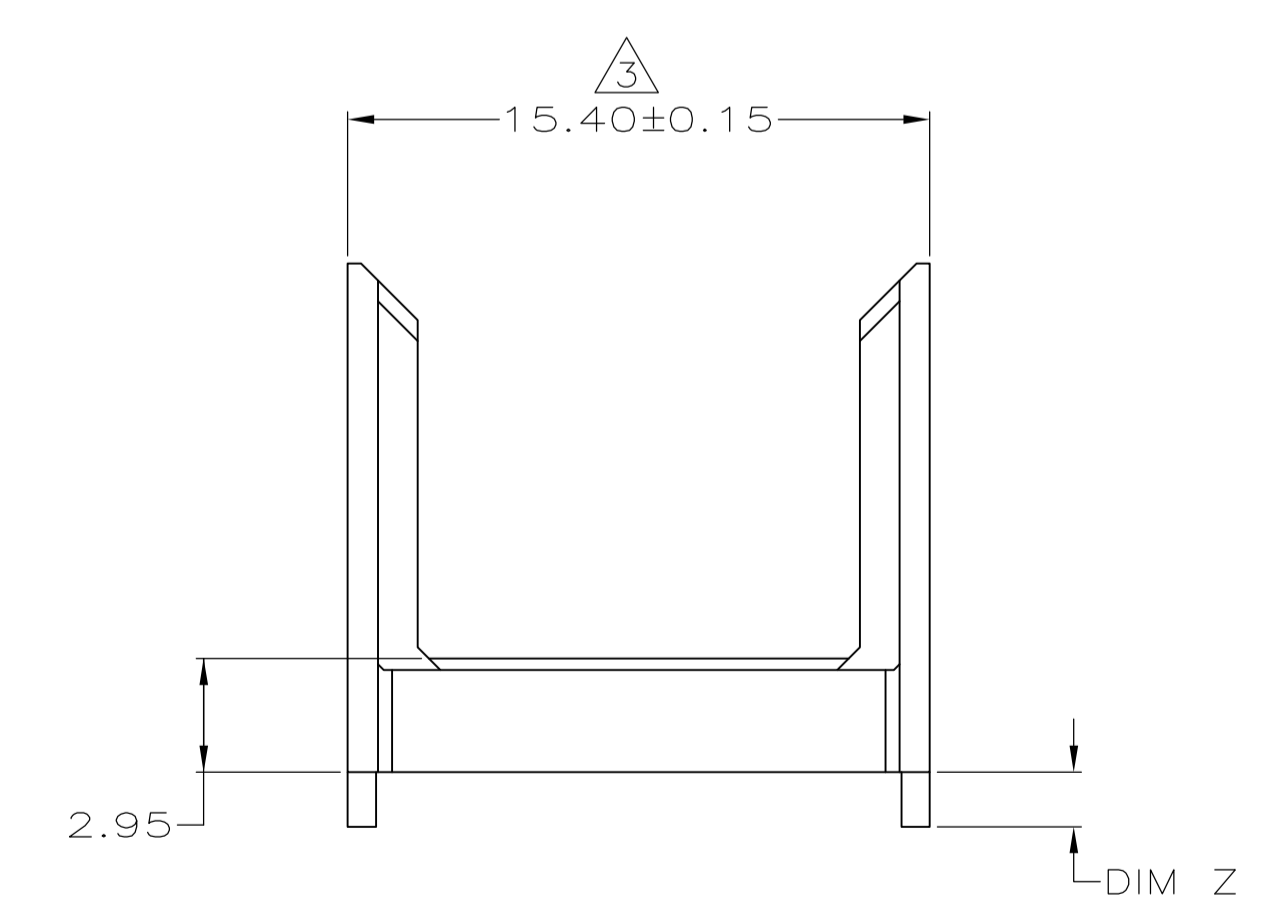
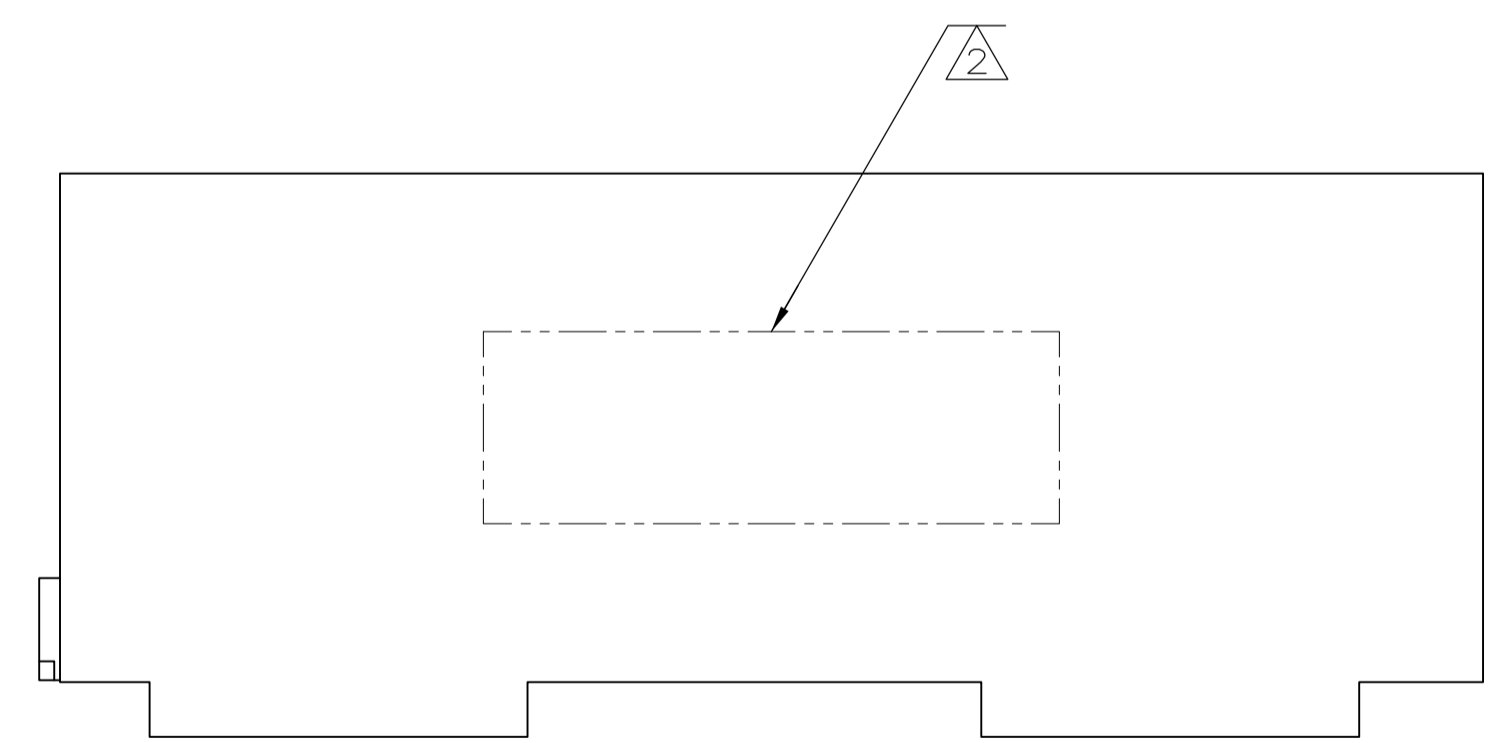
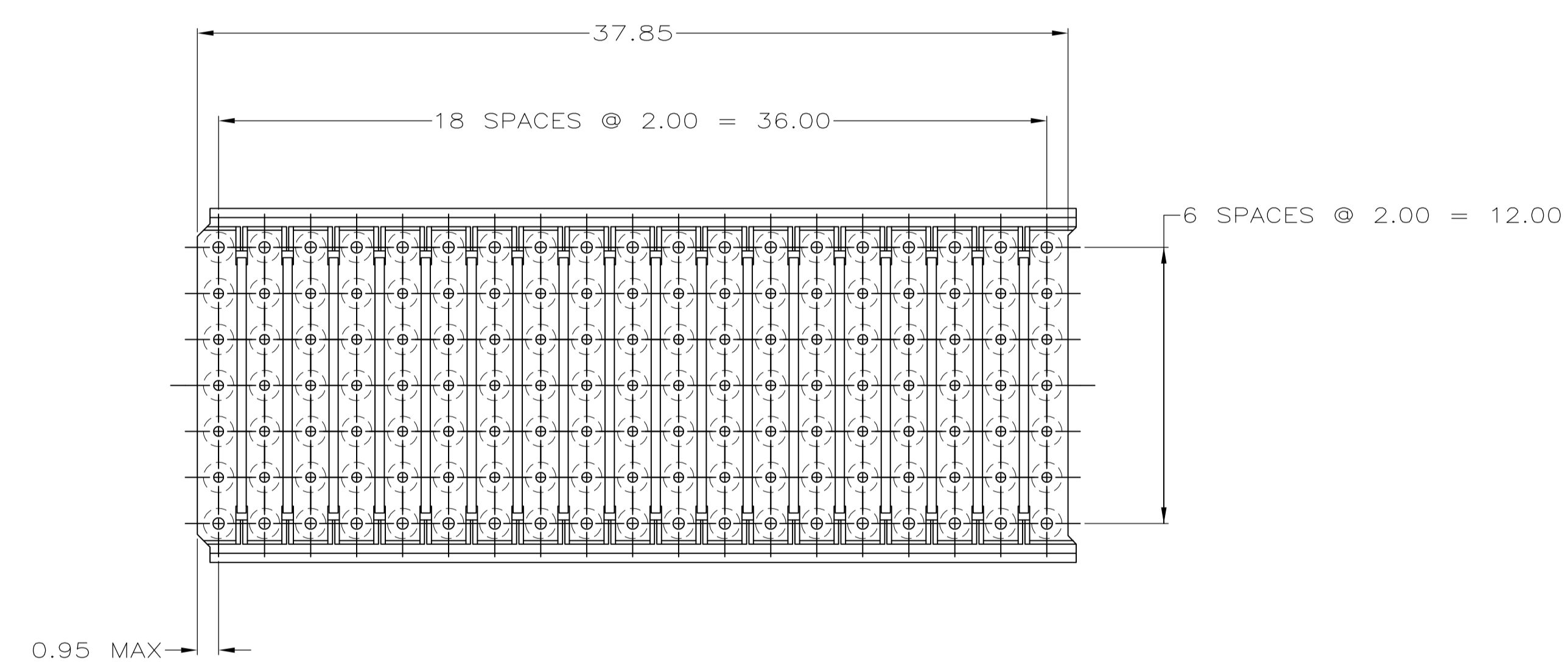


LOC		DIST		REVISIONS			
AD	47	SP	LTR	DESCRIPTION	DATE	DWN	APVD
				D1 REVISED PER ECO-10-026111	22DEC10	RC	CW



- △ MATERIAL: GLASS FILLED POLYESTER.
- △ PART NUMBER MARKED IN APPROXIMATE AREA SHOWN.
- △ TO BE MEASURED AT BASE OF SHROUD.
- △ OBSOLETE PARTS: OBSOLETE CIS STREAMLINING PER D.RENAUD/D.SINISI



△ OBSOLETE	1.90	-646481-7
	1.70	646481-6
	1.50	646481-5
△ OBSOLETE	1.30	-646481-4
	1.10	-646481-3
△ OBSOLETE	0.90	-646481-2
		646481-1
	DIM Z	PART NUMBER

THIS DRAWING IS A CONTROLLED DOCUMENT		DWN T. SHUEY 9-29-98	Tyco Electronics corporation Harrisburg, PA 17105-3608	
DIMENSIONS: mm		CHK G. SKIPPER 11-23-98	APVD G. SKIPPER 11-23-98	
TOLERANCES UNLESS OTHERWISE SPECIFIED:		NAME SHROUD, TYPE B,Z-PACK 2mm HM, 5 ROW, 133 POSITION		
0-PLC ± 1-PLC ± 2-PLC ±0.05 3-PLC ± 4-PLC ± ANGLES ±		APPLICATION SPEC		
MATERIAL △	FINISH	WEIGHT	SIZE A100779	DRAWING NO 646481
CUSTOMER DRAWING		SCALE 5:1	SHEET 1 OF 1	REV D1