

1

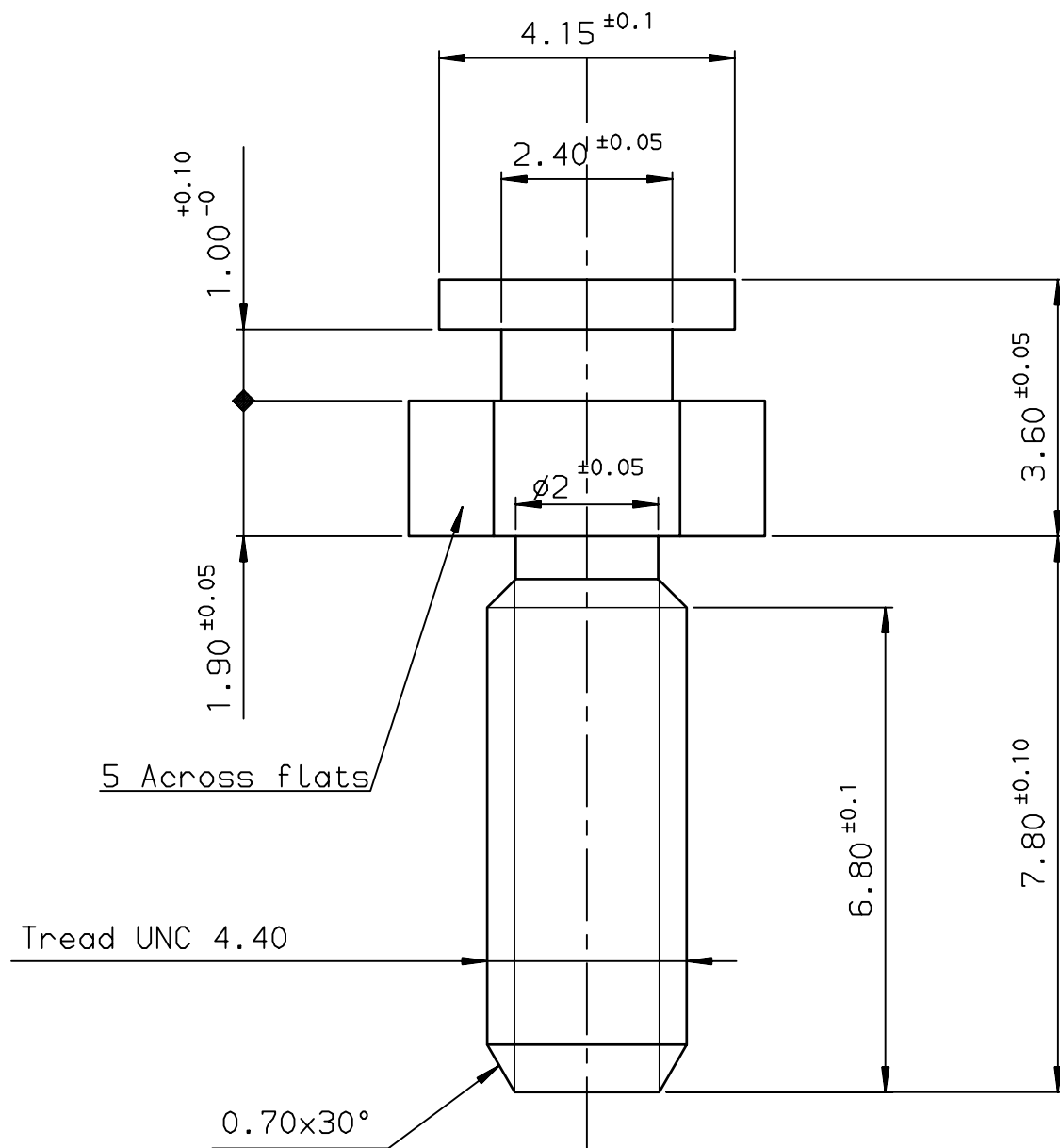
2

3

4

TECHNICAL CHARACTERISTICS :

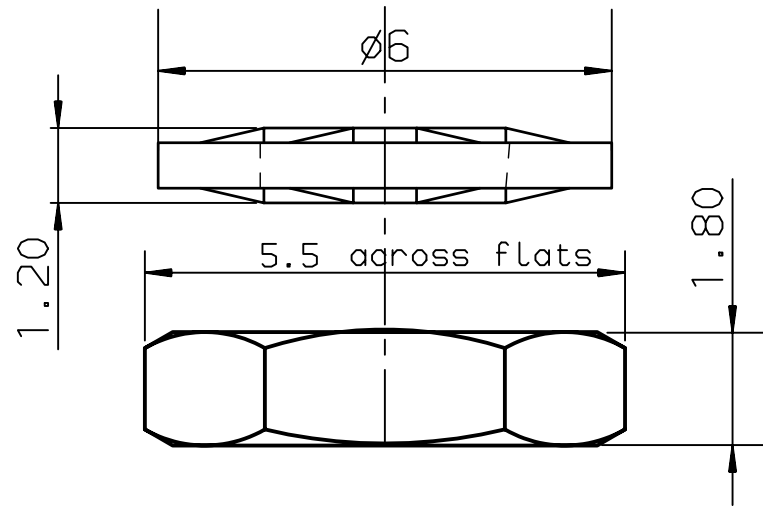
- Screw locks: brass, tin plated .
- Locking washer: steel, tin plated .
- Nuts : steel, tin plated .
- Packaging : per 100 pieces .
- Corrosion resistance : 50 hour exposure to salt spray .
- For the plating codification see GS-15-005



NOTE:RoHS INFORMATIONS

- The "LF" products meet European union Directives and other country regulations as described in GS-22-008.
- Plating Sn (pure bright) over copper

TIN LEAD PART NUMBER 86308278T
 LEAD FREE PART NUMBER 86308278TLF



European Views

www.fciconnect.com		surface ISO 1302 ✓	tolerance std ISO 406 ISO 1101	projection mm
TOLERANCES UNLESS OTHERWISE SPECIFIED				
Dr	MASSON	2000/08/08	ANGULAR	size A3
Eng	MASSON	2000/08/08	LINEAR	Scale 10
Chr	M PESSON	2000/08/08	0.xx' ±2'	ECN LS06-0208
Appr	LEGARE	2000/08/08	Product family	Spec ref -
FCi		title MOUNTING POSTS		dwg no C01-8655-1543
-		-		Rev. C
-		-		CUSTOMER sheet 1 of 1

rev	ecn no	dr	date
B	LS05-0026	LMA	2005/02/09
C	LS06-0208	LGO	2006/12/12
-	-	-	-
-	-	-	-
-	-	-	-
-	-	-	-



Copyright FCI.

1

2

3