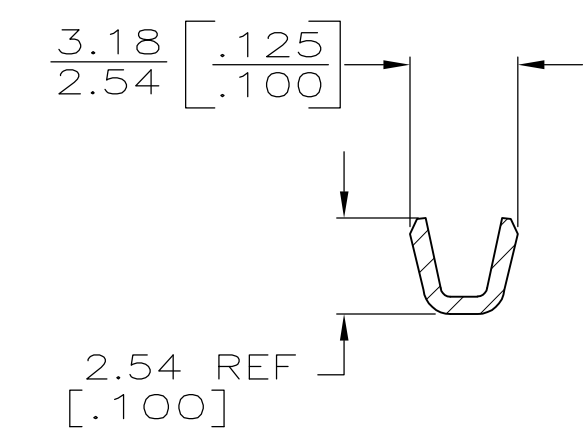
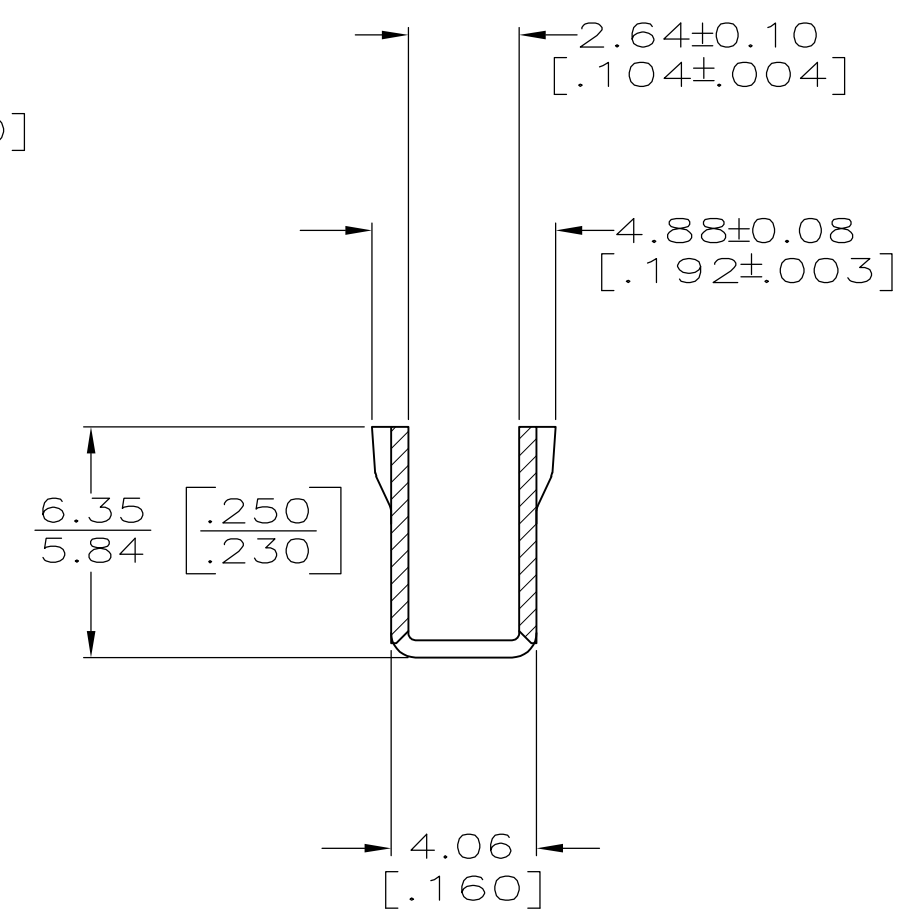
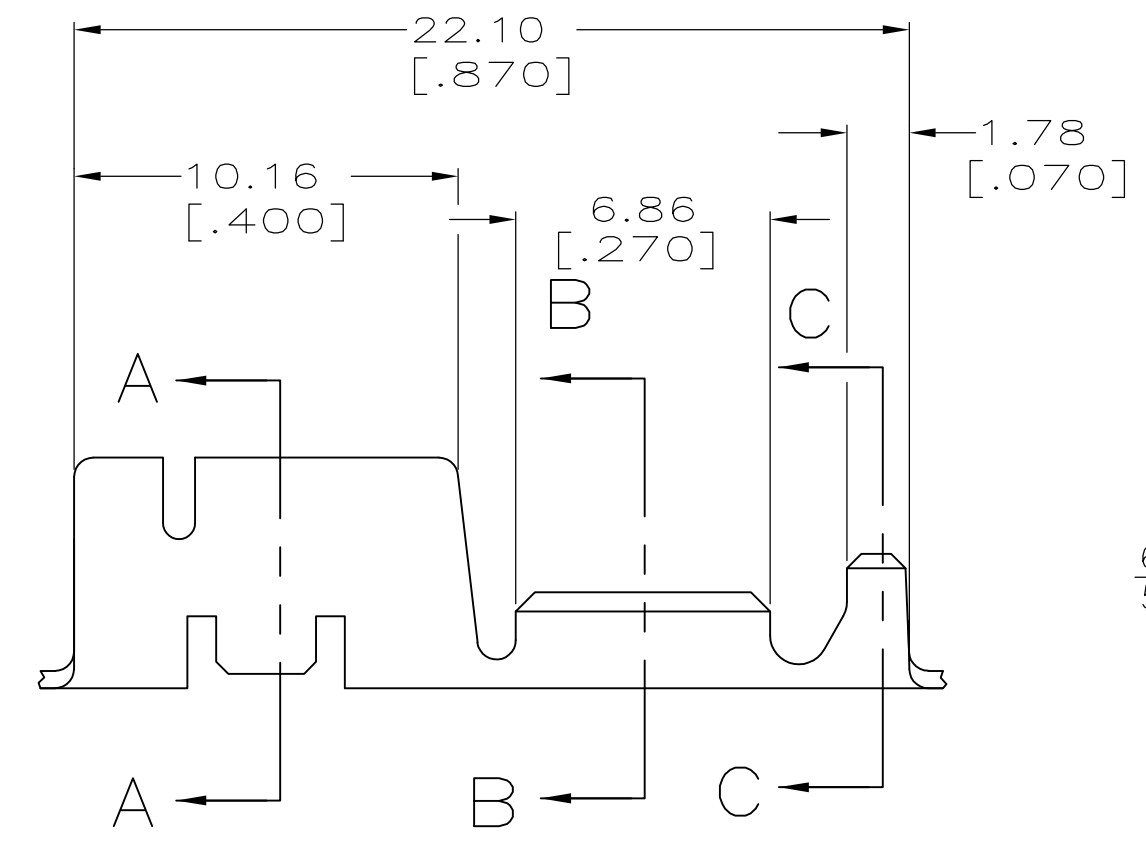
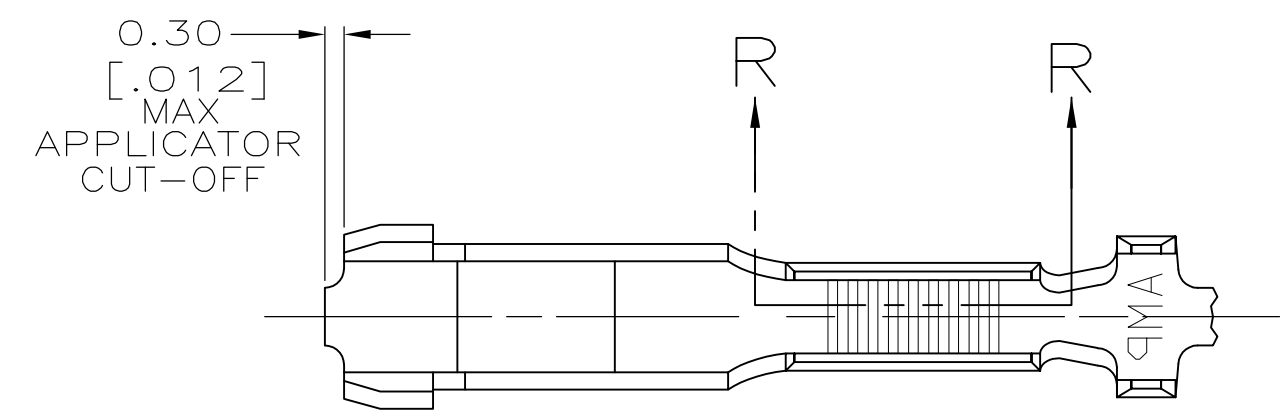


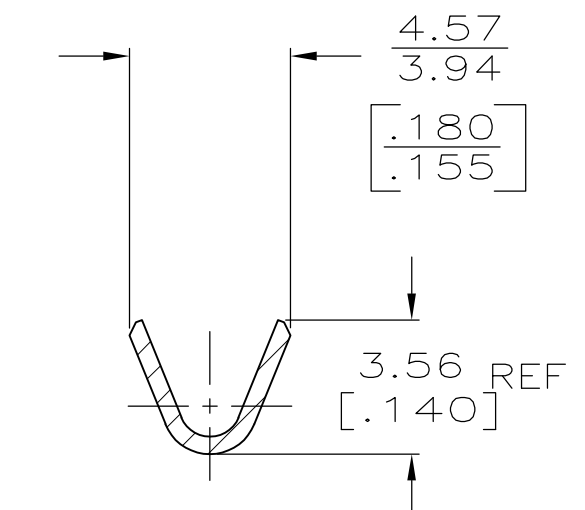
THIS DRAWING IS UNPUBLISHED. RELEASED FOR PUBLICATION  
 © COPYRIGHT - By - ALL RIGHTS RESERVED.

LOC		DIST		REVISIONS			
P	LTR	DESCRIPTION		DATE	DWN	APVD	
AF	50	M1	REVISED PER ECR-13-004622		27MAR13	KH	GJ

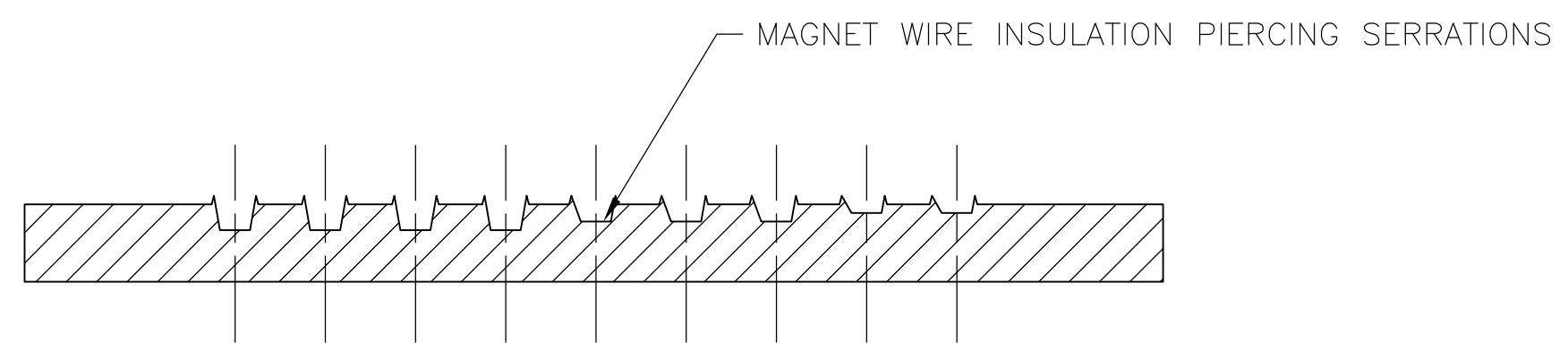
- 1 CONTINUOUS STRIP ON REELS WITH TERMINALS LOCATED ON 23.75 [.935] CENTERS.
- 2 STANDARD RETENTION TYPE



SECTION B-B



SECTION C-C



SECTION R-R  
SCALE 25:1

1.52-2.54 DIA [.060-.100]	400-1600 CMA	63453-1
INSULATION RANGE	WIRE RANGE	PART NO.

THIS DRAWING IS A CONTROLLED DOCUMENT.		DWN MS FEHER 11/12/87	TE Connectivity				
DIMENSIONS: mm [INCHES]		CHK G YETTER 11/17/87					
TOLERANCES UNLESS OTHERWISE SPECIFIED:		APVD J SWARTZ 11/17/87					
0 PLC ± - 1 PLC ± - 2 PLC ± 0.25 [.010] 3 PLC ± - 4 PLC ± - ANGLES ± -		PRODUCT SPEC 108-2008 APPLICATION SPEC 114-2009					
MATERIAL 0.51 [.020] #3 HARD PHOSPHOR BRONZE		FINISH POST TIN	WEIGHT -	SIZE A2	CAGE CODE 00779	DRAWING NO C=63453	RESTRICTED TO -
CUSTOMER DRAWING			SCALE 5:1	SHEET 1 of 1	REV M1		