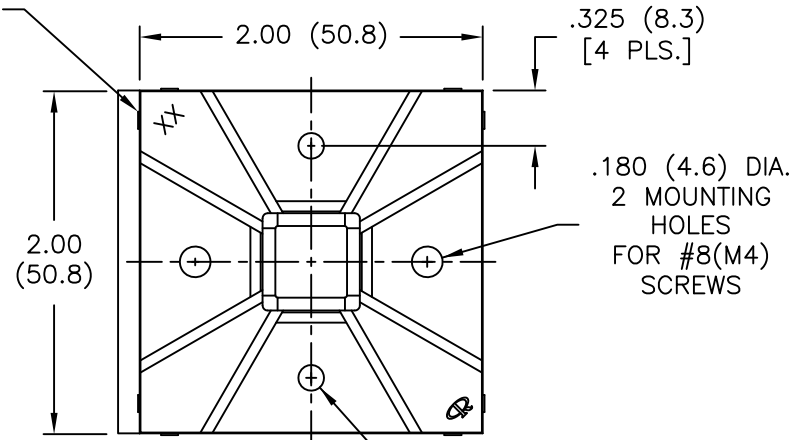
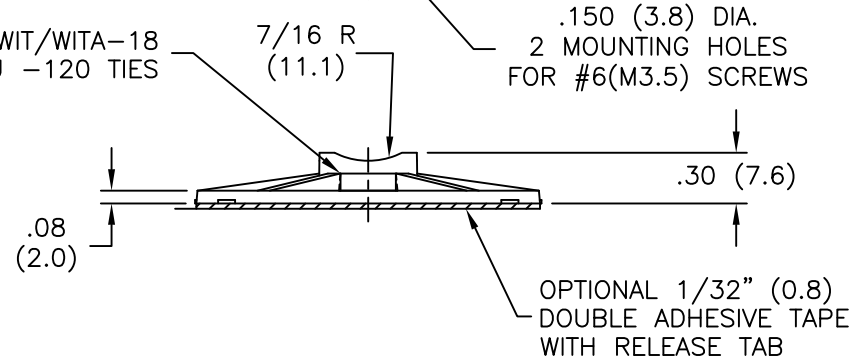


PART NO.	MATERIAL	COLOR	ADHESIVE
FTH-10-01	NYLON 6/6 (RMS-01)	NATURAL	NONE
FTH-10A			ACRYLIC TAPE (RMS-15), WHITE LINER

THESE BUMPS MAY NOT APPEAR ON PART (8PLS)



ACCOMMODATES WIT/WITA-18 THRU -120 TIES



NOTES:

1. NYLON 6/6 (RMS-01),
COLOR: NATURAL,
RUBBER ADHESIVE TAPE (RMS-102), BLUE LINER,
AVAILABLE BY SPECIAL ORDER ONLY;
TO ORDER USE P/N FTH-10A1.
FLAME RETARDANT NYLON (RMS-19),
COLOR: NATURAL,
ACRYLIC ADHESIVE TAPE (RMS-15), WHITE LINER,
AVAILABLE BY SPECIAL ORDER ONLY;
TO ORDER USE P/N FTH-10A-19
OR FTH-10-19 (WITHOUT TAPE).

UV STABILIZED NYLON (RMS-46),
COLOR: BLACK,
ACRYLIC ADHESIVE TAPE (RMS-15), WHITE LINER,
AVAILABLE BY SPECIAL ORDER ONLY;
TO ORDER USE P/N FTH-10A-UVB
OR FTH-10-UVB (WITHOUT TAPE),
RUBBER ADHESIVE TAPE (RMS-102), BLUE LINER,
AVAILABLE BY SPECIAL ORDER ONLY.
TO ORDER USE P/N FTH-10A1-RT-UVB.

2. PACKAGING QUANTITIES ARE REFLECTED AS THE SUFFIX "-LETTER".
EXAMPLE: FTH-10-01-M FOR 1000 PCS.
-C = 100 PCS
-M = 1000 PCS

H	SEE CO 200773 FOR CHANGES	SK 04.30.12
G	ADDED NOTE 2. SEE CO 200661	SK 05.12.11
F	SEE CO 200570 FOR CHANGES	SK 08.04.10
E	SEE CO 200248 FOR CHANGES	SK 10.30.08
D	SEE ECN #1124 FOR CHANGES	SK 01.24.06
C	COMPLETELY RE-DRAWN & CHANGED FILE#	SM 10.18.01
B	ADDED (RMS-102) BY SPECIAL ORDER ONLY	JL 08.22.00
A	MAT'L NOTES UPDATED	JL 01.10.00
REV	DESCRIPTION	ENGR DATE

TITLE:

FLAT TIE HOLDER

TOLERANCES
UNLESS NOTED
.XX=±.010
.XXX=±.005
FRAC=±1/64
ANG=±1'

FILE # FTH-10

DWN: JL

APP:

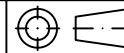
MAT'L: SEE NOTES

DT: 01.10.00

DT:

RE: RICHCO, INC.

RICHCO INC.
PO BOX 804238, CHICAGO, 60680
(773) 539-4060



DWG IN
IN (MM)



FINAL

PART #

SEE TABLE

PRINT
TYPE

CA