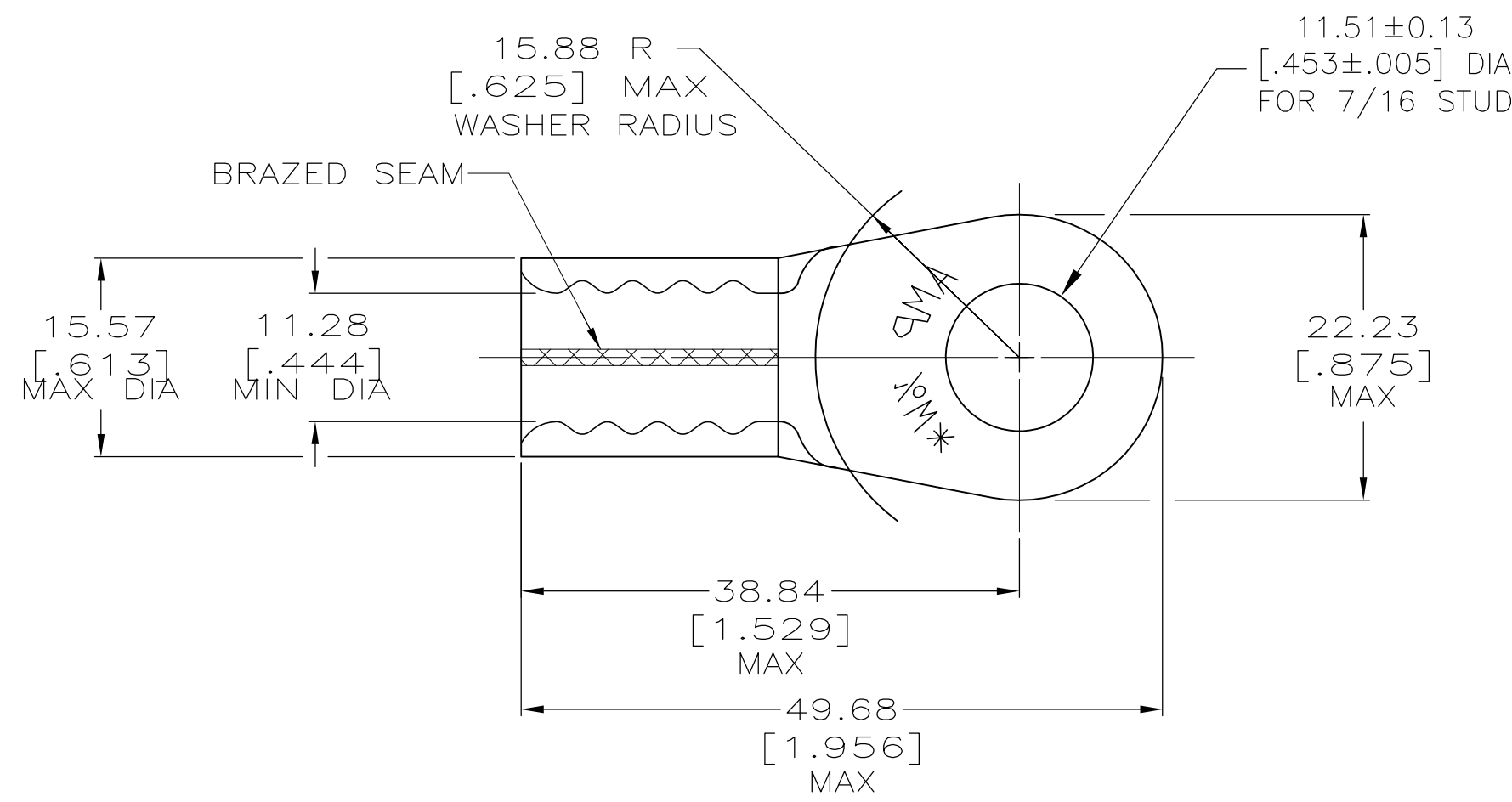


THIS DRAWING IS UNPUBLISHED. RELEASED FOR PUBLICATION
 © COPYRIGHT BY TYCO ELECTRONICS CORPORATION. ALL INTERNATIONAL RIGHTS RESERVED.

LOC	DIST	REVISIONS					
G	14	P	LTR	DESCRIPTION	DATE	DWN	APVD
		E1		REV PER ECR 09-015243	29JUL09	JR	TM



AMP WIRE RANGE	E13288 Listed
1/0 AWG SOLID OR STRANDED	1/0 AWG STRANDED
LR7189 Certified	MILITARY P/N AND CLASS
1/0 AWG SOLID OR STRANDED	MS 20659-152 CLASS 2

1 TIN PL 0.00254 [.000100] MIN THK
 PER ASTM B-545

	COPPER ASTM B-152 1.78±0.08 [.070±.003] ANNEALED	36918
FINISH	MATERIAL	PART NO.

MAX RECOMMENDED OPERATING TEMPERATURE: 170°C MAX	THIS DRAWING IS A CONTROLLED DOCUMENT.		DWN DK SCHRUM 7/2/91	Tyco Electronics Corporation Harrisburg, PA 17105-3608
	VOLTAGE RATING: N/A	DIMENSIONS: MM [INCHES]	CHK RD HEIM 8/15/91	
CIRCULAR MIL AREA: 42.4-60.6mm ² [83,700-119,500]		TOLERANCES UNLESS OTHERWISE SPECIFIED:	APVD AJ KAUFMAN 8/16/91	TERMINAL, RING TONGUE, SOLISTRAND, WIRE SIZE: 50.0mm ² [1/0] AWG
		MATERIAL SEE TABLE	FINISH SEE TABLE	
			APPLICATION SPEC —	SIZE A3
			WEIGHT —	CAGE CODE 00779
			CUSTOMER DRAWING	DRAWING NO G-36918
				RESTRICTED TO —
				SCALE 2:1
				SHEET 1 OF 1
				REV E1