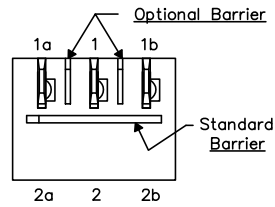


THIS INFORMATION IS CONFIDENTIAL AND PROPRIETARY TO CW INDUSTRIES INCORPORATED AND ITS AFFILIATES. IT MAY NOT BE DISCLOSED TO ANYONE OTHER THAN CW INDUSTRIES PERSONNEL WITHOUT WRITTEN AUTHORIZATION FROM CW INDUSTRIES INCORPORATED, SOUTHAMPTON, PENNSYLVANIA USA.

F
D
C
B
A

DIMENSIONS IN INCHES (MILLIMETERS)
DO NOT SCALE DRAWING Dwg. No. GRS-4012A-XXXX

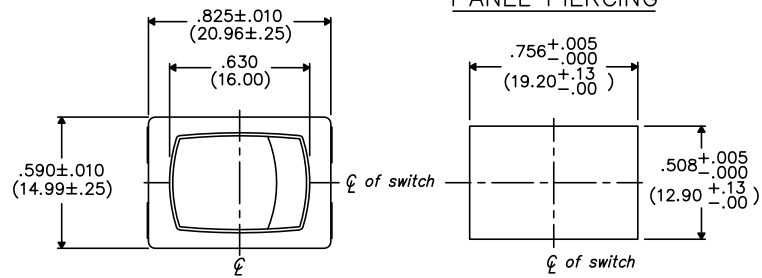
OPTIONAL INSULATING BARRIER



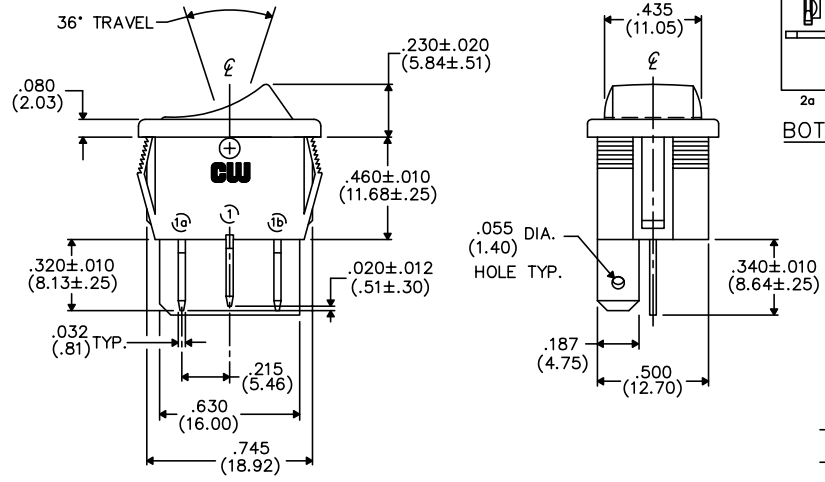
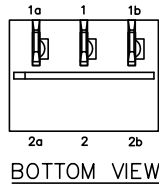
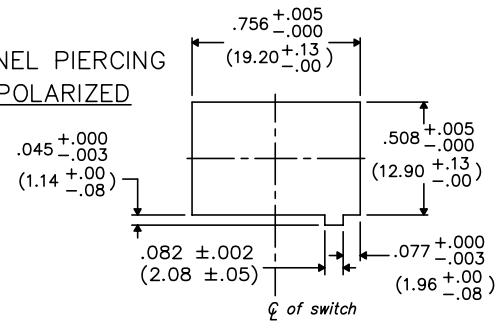
MOUNTING PANEL THICKNESS

Standard—.050" (1.27mm) to .150" (3.81mm).
Optional Mounting Claws for Custom Panel thickness are available.

PANEL PIERCING

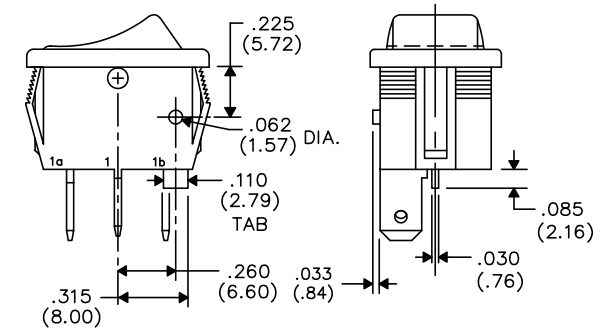


PANEL PIERCING POLARIZED



TERMINAL OPTIONS:

- .187" (4.75mm) x .032" (.81mm) Solderless
- .110" (2.79mm) x .032" (.81mm) Solderless
- .187" (4.75mm) x .020" (.51mm) Solderless
- .110" (2.79mm) wide with .048" (1.22mm) x .237" (6.02mm) Slot for Soldering



TAB AND POLARIZATION OPTIONS

B-FORMAT 2002

REVISIONS

1 2 3 4 5 6 7 8 9 10

CW INDUSTRIES
 Southampton, Pa. 18966

TOLERANCES UNLESS OTHERWISE SPECIFIED

2 Place Decimal ±.010	METRIC
3 Place Decimal ±.005	1 Place Dec. ±.25mm
Angles ±1°	2 Place Dec. ±.13mm

Made for: CW IND.
 Drawn by: DGW 10-28-2010
 Checked by:
 Approval:

Title: **ROCKER SWITCH ASSEMBLY**
 S.P./D.T. MOM.

Division: **SWITCH**

Dwg. No. **GRS-4012A-XXXX**